

DÉCLARATION DES PERFORMANCES

DoP 0343

pour le système d'injection fischer FIS RC II (résine pour les scellements d'armatures rapportées)

FR

1. Code d'identification unique du type de produit: DoP 0343
2. Usage(s) prévu(s): **Système pour les scellements d'armatures rapportées pour utilisation dans le béton, Voir annexes, en particulier les annexes B1-B11.**
3. Fabricant: **fischerwerke GmbH & Co. KG, Klaus-Fischer-Str. 1, 72178 Waldachtal, Allemagne**
4. Mandataire: -
5. Système(s) d'évaluation et de vérification de la constance des performances: 1
6. Document d'évaluation européen: **EAD 330087-01-0601 Edition 06/2021**
Evaluation Technique Européenne: **ETA-22/0502; 2023-07-20**
Organisme d'évaluation technique: **DIBt- Deutsches Institut für Bautechnik**
Organisme(s) notifié(s): **2873 TU Darmstadt**
7. Performance(s) déclarée(s):
Résistance mécanique et stabilité (BWR 1)
Résistance caractéristique sous charge statique et quasi statique:
Résistance d'adhérence des armatures rapportées: Annexes C1, C2
Facteur de réduction: Annexes C1, C2
Facteur d'augmentation profondeur d'ancrage minimum: Annexes C1, C2
Résistance caractéristique à la rupture de l'acier sous charge de traction du fer à béton: Annexe C5

Résistance caractéristique sous charge sismique:
Contrainte d'adhérence et coefficient de réduction sous charge sismique: Annexes C3, C4
Enrobage minimum sous charge sismique: Annexe B5

Sécurité en cas d'incendie (BWR 2)
Réaction au feu: Classe (A1)

Résistance au feu:
Contrainte ultime d'adhérence sous exposition au feu pour les scellements d'armatures rapportées évalués pour 50 ans: Annexe C6
Contrainte ultime d'adhérence sous exposition au feu pour les scellements d'armatures rapportées évalués pour 100 ans: Annexe C6
Résistance caractéristique à la rupture de l'acier sous charge de traction du fer à béton sous exposition au feu: Annexe C5
8. Documentation technique appropriée et/ou documentation technique spécifique: -

Les performances du produit identifié ci-dessus sont conformes aux performances déclarées. Conformément au règlement (UE) no 305/2011, la présente déclaration des performances est établie sous la seule responsabilité du fabricant mentionné ci-dessus.

Signé pour le fabricant et en son nom par:



Dr.-Ing. Oliver Geibig, Directeur Général Business Units & Ingénierie
Tumlingen, 2023-08-15



Jürgen Grün, Directeur Général Chimie & Qualité

Cette DoP a été préparée en plusieurs langues. En cas de différend relatif à l'interprétation, la version anglaise prévaudra.

L'annexe comprend des informations volontaires et complémentaires en langue anglaise dépassant les exigences légales (spécifiées de manière neutre).

Translation guidance Essential Characteristics and Performance Parameters for Annexes

Guide de traduction des caractéristiques essentielles et des paramètres de performance pour les annexes

Mechanical resistance and stability (BWR 1)		
Résistance mécanique et stabilité (BWR 1)		
Characteristic resistance under static and quasi-static loading: Résistance caractéristique sous charge statique et quasi statique:		
1	Bond strength of post-installed rebar: Résistance d'adhérence des armatures rapportées:	$f_{bd,PIR}$ [N/mm ²], $f_{bd,PIR,100y}$ [N/mm ²]
2	Bond efficiency factor: Facteur de réduction:	k_b [-], $k_{b,100y}$ [-]
3	Amplification factor for minimum anchorage length: Facteur d'augmentation profondeur d'ancrage minimum:	α_b [-], $\alpha_{b,100y}$ [-]
4	Characteristic resistance to steel failure for rebar tension anchors: Résistance caractéristique à la rupture de l'acier sous charge de traction du fer à béton:	$N_{Rk,s}$ [kN]
Characteristic resistance under seismic loading: Résistance caractéristique sous charge sismique:		
5	Bond strength under seismic loading, Seismic bond efficiency factor: Contrainte d'adhérence et coefficient de réduction sous charge sismique:	$f_{bd,PIR,seis}$ [N/mm ²], $k_{b,seis}$ [-], $f_{bd,PIR,seis,100y}$ [N/mm ²], $k_{b,seis,100y}$ [-]
6	Minimum concrete cover under seismic loading: Enrobage minimum sous charge sismique:	$c_{min,seis}$ [mm]
Safety in case of fire (BWR 2)		
Sécurité en cas d'incendie (BWR 2)		
7	Reaction to fire: Réaction au feu:	Class
Resistance to fire: Résistance au feu:		
8	Bond strength at increased temperature for post-installed rebar assessed for 50 years: Contrainte ultime d'adhérence sous exposition au feu pour les scellements d'armatures rapportées évalués pour 50 ans:	$f_{bd,fi}(\theta)$ [N/mm ²], $k_{fi}(\theta)$ [-], θ_{max} [°C]
9	Bond strength at increased temperature for post-installed rebar assessed for 100 years: Contrainte ultime d'adhérence sous exposition au feu pour les scellements d'armatures rapportées évalués pour 100 ans:	$f_{bd,fi,100y}(\theta)$ [N/mm ²], $k_{fi,100y}(\theta)$ [-], θ_{max} [°C]
10	Characteristic resistance to steel failure for rebar tension anchors under fire exposure: Résistance caractéristique à la rupture de l'acier sous charge de traction du fer à béton sous exposition au feu:	$N_{Rk,s,fi}$ [kN]

Specific Part

1 Technical description of the product

The subject of this European Technical Assessment is the post-installed connection, by anchoring or overlap connection joint, of reinforcing bars (rebars) in existing structures made of normal weight concrete, using the "Rebar connection with injection system FIS RC II" in accordance with the regulations for reinforced concrete construction.

Reinforcing bars made of steel with a diameter ϕ from 8 to 32 mm or the fischer rebar anchor FRA or FRA HCR of sizes M12 to M24 according to Annex A and injection mortar FIS RC II are used for rebar connections. The rebar is placed into a drilled hole filled with injection mortar and is anchored via the bond between rebar, injection mortar and concrete.

The product description is given in Annex A.

2 Specification of the intended use in accordance with the applicable European assessment Document

The performances given in Section 3 are only valid if the rebar connection is used in compliance with the specifications and conditions given in Annex B.

The verifications and assessment methods on which this European Technical Assessment is based lead to the assumption of a working life of the rebar connections of at least 50 and/or 100 years. The indications given on the working life cannot be interpreted as a guarantee given by the producer, but are to be regarded only as a means for choosing the right products in relation to the expected economically reasonable working life of the works.

3 Performance of the product and references to the methods used for its assessment

3.1 Mechanical resistance and stability (BWR 1)

Essential characteristic	Performance
Characteristic resistance under static and quasi-static loading	See Annex C 1, C 2 and C 5
Characteristic resistance under seismic loading	See Annex B 5, C 3 and C 4

3.2 Safety in case of fire (BWR 2)

Essential characteristic	Performance
Reaction to fire	Class A1
Resistance to fire	See Annex C 5 and C 6

4 Assessment and verification of constancy of performance (AVCP) system applied, with reference to its legal base

In accordance with European Assessment Document EAD No. 330087-01-0601, the applicable European legal act is: [96/582/EC].

The system to be applied is: 1

Installation conditions and application examples reinforcing bars, part 1

Figure A1.1:

Overlap joint with existing reinforcement for rebar connections of slabs and beams

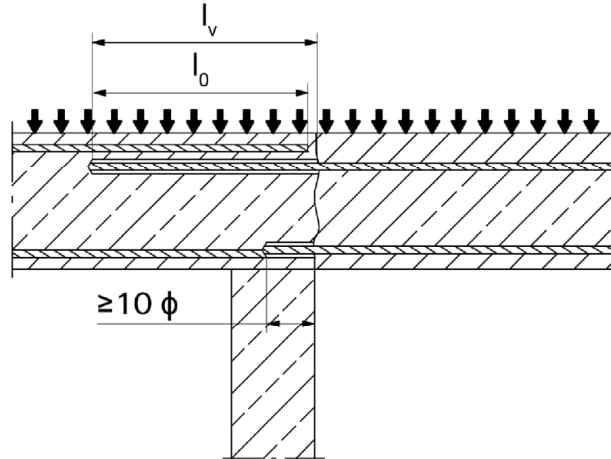


Figure A1.2:

Overlap joint with existing reinforcement at a foundation of a column or wall where the rebar is stressed

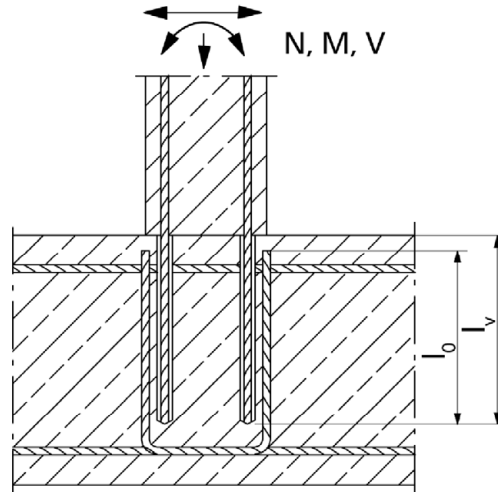
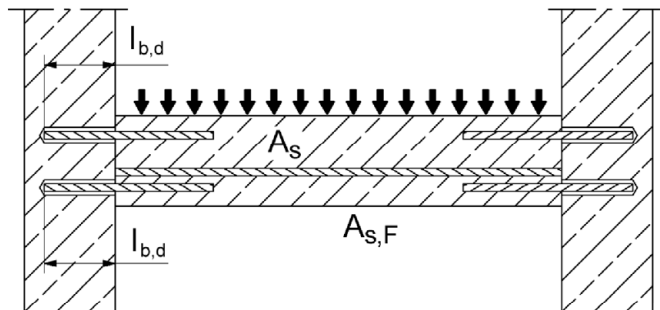


Figure A1.3:

End anchoring of slabs or beams (e.g. designed as simply supported)



Figures not to scale

Rebar connection with injection system FIS RC II

Product description

Installation conditions and application examples reinforcing bars, part 1

Annex A 1

Appendix 2 / 24

Installation conditions and application examples reinforcing bars, part 2

Figure A2.1:

Rebar connection for stressed primarily in compression

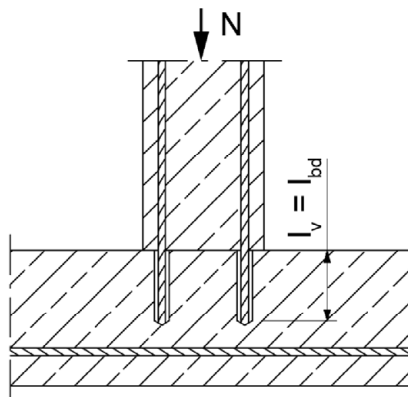
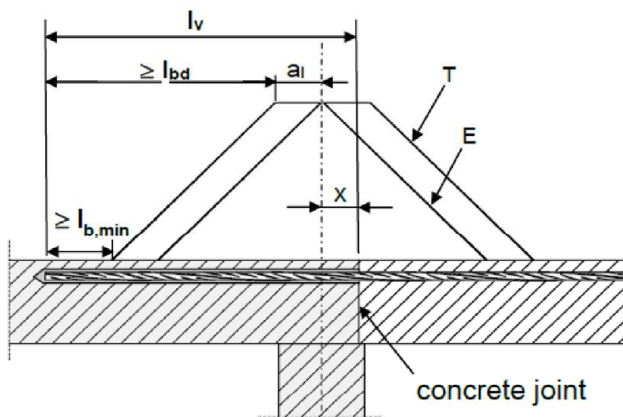


Figure A2.2:

Anchoring of reinforcement to cover the enveloped line of acting tensile force in the bending member



(only post-installed rebar is plotted)

Key to Figure

- T Acting tensile force
- E Envelope of $M_{ed} / z + N_{ed}$ (see EN 1992-1-1:2004+AC:2010)
- x Distance between the theoretical point of support and concrete joint

Note to **figure A1.1 to A1.3** and **figure A2.1 to A2.2**

In the figures no traverse reinforcement is plotted, the traverse reinforcement as required by EN 1992-1-1:2004+AC:2010 shall be present.

The shear transfer between old and new concrete shall be designed according to EN 1992-1-1:2004+AC:2010

Preparation of joints according to **Annex B 3** of this document.

Figures not to scale

Rebar connection with injection system FIS RC II

Product description

Installation conditions and application examples reinforcing bars, part 2

Annex A 2

Appendix 3 / 24

Installation conditions and application examples fischer rebar anchor FRA

Figure A3.1:

Lap to a foundation of a column under bending.

1. Shear lug (or fastener loaded in shear)
2. fischer rebar anchor FRA (tension only)
3. Existing stirrup / reinforcement for overlap (lap splice)
4. Slotted hole

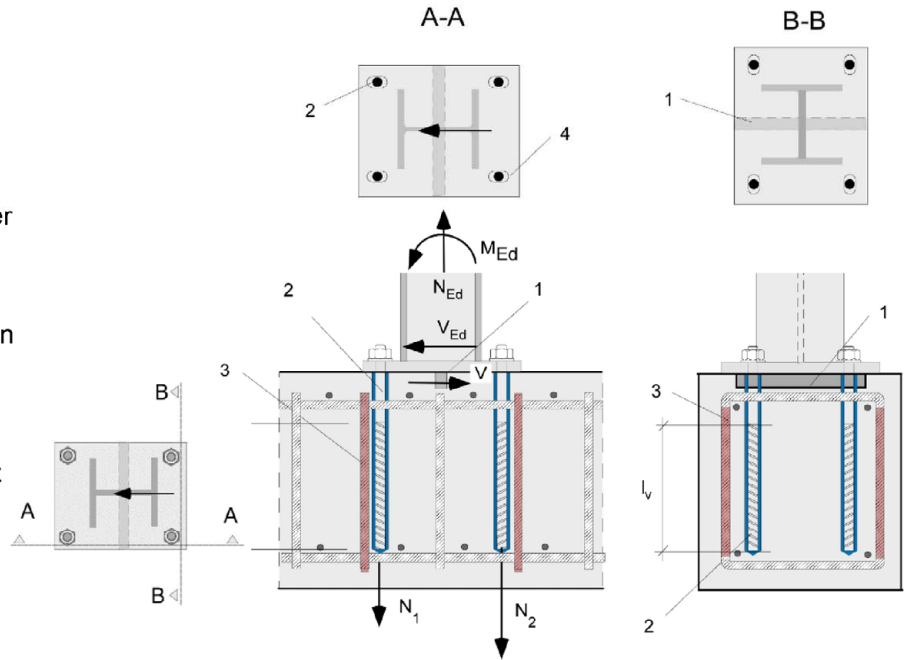
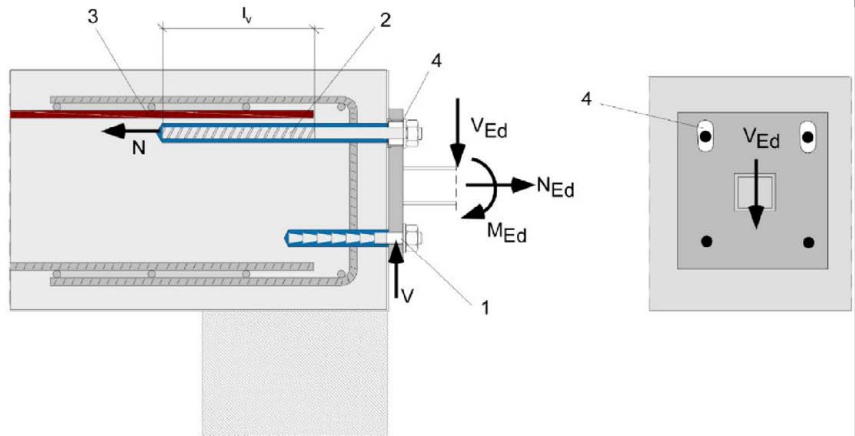


Figure A3.2:

Lap of the anchoring of guardrail posts or anchoring of cantilevered building components. In the anchor plate, the drill holes for the fischer rebar anchors FRA have to be designed as slotted holes with axial direction to the shear force.

1. Fastener for shear load transfer
2. fischer rebar anchor FRA (tension only)
3. Existing stirrup / reinforcement for overlap (lap splice)
4. Slotted hole



The required transverse reinforcement acc. to EN 1992-1-1:2004+AC:2010 is not shown in the figures. **The fischer rebar anchor FRA may be only used for axial tensile force.** The tensile force must be transferred by lap to the existing reinforcement of the building. The transfer of the shear force has to be ensured by suitable measure, e.g. by means of shear force or anchors with European Technical Assessment (ETA).

Figures not to scale

Rebar connection with injection system FIS RC II

Product description

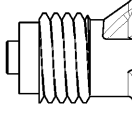
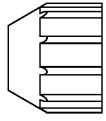
Installation conditions and application examples fischer rebar anchors FRA

Annex A 3

Appendix 4 / 24

Overview system components

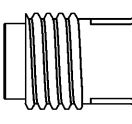
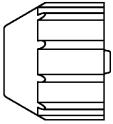
Injection cartridge (shuttle cartridge) FIS RC II with sealing cap; Sizes: 360 ml, 825 ml



Imprint: fischer FIS RC II, processing notes, shelf-life, hazard code, curing times and processing times (depending on temperature), piston travel scale (optional), size, volume



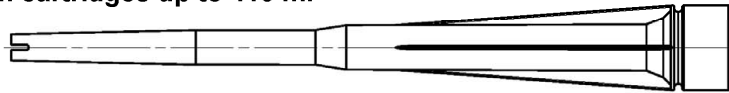
Injection cartridge (coaxial cartridge) FIS RC II with sealing cap; Sizes: 300 ml, 380 ml, 400 ml, 410 ml



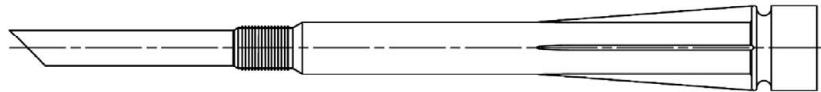
Imprint: fischer FIS RC II, processing notes, shelf-life, hazard code, curing times and processing times (depending on temperature), piston travel scale (optional), size, volume



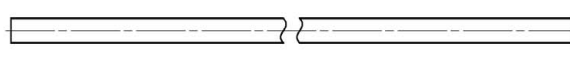
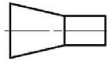
Static mixer FIS MR Plus for injection cartridges up to 410 ml



Static mixer FIS JMR for injection cartridges 825 ml



**Injection adapter and extension tube Ø 9 for static mixer FIS MR Plus;
Injection adapter and extension tube Ø 9 or Ø 15 for static mixer FIS JMR**

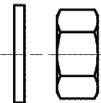
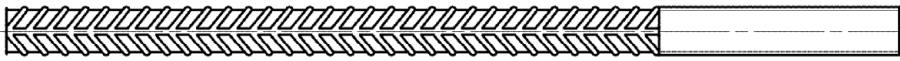


Reinforcing bar (rebar) Sizes: ϕ 8, ϕ 10, ϕ 12, ϕ 14, ϕ 16, ϕ 18, ϕ 20, ϕ 22, ϕ 24, ϕ 25, ϕ 28, ϕ 30, ϕ 32



marking setting depth

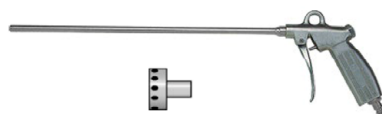
fischer rebar anchor FRA / FRA HCR Sizes: M12, M16, M20, M24



Blow out pump AB G



Compressed-air cleaning tool ABP with fischer compressed-air nozzle



Figures not to scale

Rebar connection with injection system FIS RC II

Product description

Overview system components; Injection mortar, static mixer, injection adapter, reinforcing bar, fischer rebar anchor FRA, cleaning tools

Annex A 4

Appendix 5 / 24

Properties of reinforcing bars (rebar)

Figure A5.1:



- The minimum value of related rib area $f_{R,min}$ according to EN 1992-1-1:2004+AC:2010
- The maximum outer rebar diameter over the ribs shall be:
 - The nominal diameter of the bar with rib $\phi + 2 \cdot h$ ($h \leq 0,07 \cdot \phi$)
 - (ϕ : Nominal diameter of the bar; h_{rib} = rib height of the bar)

Table A5.1: Installation conditions for rebars

Nominal diameter of the bar		ϕ	8 ¹⁾	10 ¹⁾	12 ¹⁾	14	16	18	20	22	24	25 ¹⁾	28	30	32	
Nominal drill hole diameter	d_0	[mm]	10	12	14	16	18	20	25	25	30	30	35	35	40	40
Drill hole depth	h_0		$h_0 = l_v$													
Effective embedment depth	l_v		acc. to static calculation													
Minimum thickness of concrete member	h_{min}		$l_v + 30$ (≥ 100)				$l_v + 2d_0$									

¹⁾ Both drill hole diameters can be used

Table A5.2: Materials of rebars

Designation	Reinforcing bar (rebar)
Reinforcing bar EN 1992-1-1:2004+AC:2010, Annex C	Bars and de-coiled rods class B or C with f_{yk} and k according to NDP or NCI of EN 1992-1-1/NA $f_{uk} = f_{tk} = k \cdot f_{yk}$

Figures not to scale

Rebar connection with injection system FIS RC II

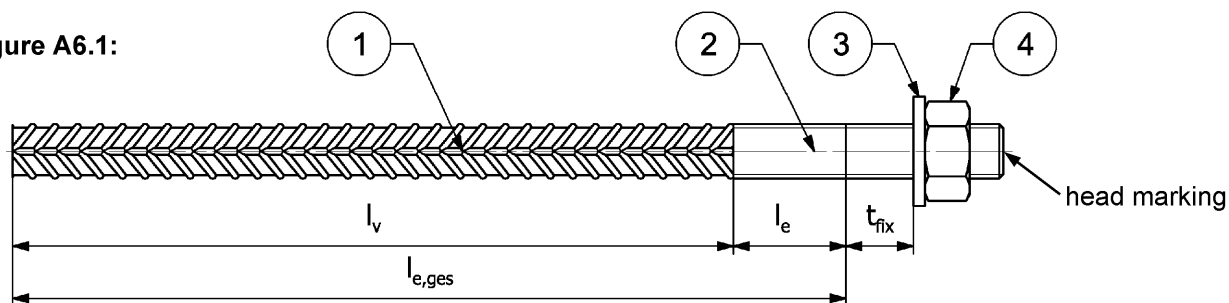
Product description
Properties and materials of reinforcing bars (rebar)

Annex A 5

Appendix 6 / 24

Properties of fischer rebar anchors FRA

Figure A6.1:



Head marking e.g.:  FRA (for stainless steel)

 FRA HCR (for high corrosion-resistant steel)

Table A6.1: Installation conditions for fischer rebar anchors FRA

Thread diameter		M12 ²⁾	M16	M20	M24 ²⁾		
Nominal diameter	ϕ [mm]	12	16	20	25		
Nominal drill bit diameter	d_0 [mm]	14	16	20	25	30	35
Drill hole depth ($h_0 = l_{e,ges}$)	$l_{e,ges}$ [mm]	$l_v + l_e$					
Effective embedment depth	l_v [mm]	according to static calculation					
Distance concrete surface to welded joint	l_e [mm]	100					
Maximum Diameter of clearance hole in the fixture ¹⁾	Pre-positioned d_f [mm]	14	18	22	26		
	Push through d_f [mm]	16	18	22	26	32	---
Minimum thickness of concrete member	h_{min} [mm]	h_0+30	$h_0 + 2d_0$				
Maximum torque moment for attachment of the fixture	$\max T_{inst}$ [Nm]	50	100	150	150		

¹⁾ For bigger clearance holes in the fixture see EN 1992-4:2018

²⁾ Both drill bit diameters can be used

Table A6.2: Materials of fischer rebar anchors FRA

Part	Description	Materials	
		FRA Corrosion resistance class CRC III acc. to EN 1993-1-4:2006+A1:2015	FRA HCR Corrosion resistance class CRC V acc. to EN 1993-1-4:2006+A1:2015
1	Reinforcing bar	Bars and de-coiled rods class B or C with f_{yk} and k according to NDP or NCI of EN 1992-1-1:NA; $f_{uk} = f_{tk} = k \cdot f_{yk}$; ($f_{yk} = 500 \text{ N/mm}^2$)	
2	Round bar with partial or full thread	Stainless steel, strength class 80, according to EN 10088-1:2014	Stainless steel, strength class 80, according to EN 10088-1:2014
3	Washer ISO 7089:2000	Stainless steel, according to EN 10088-1:2014	Stainless steel, according to EN 10088-1:2014
4	Hexagon nut	Stainless steel, strength class 80, acc. to EN ISO 3506-2:2020, according to EN 10088-1:2014	Stainless steel, strength class 80, acc. to EN ISO 3506-2:2020, according to EN 10088-1:2014

Figures not to scale

Rebar connection with injection system FIS RC II





Product description
Properties and materials of fischer rebar anchors FRA

Annex A 6

Appendix 7 / 24

Specifications of intended use part 1

Table B1.1: Overview use and performance categories

Anchorage subject to		FIS RC II with ...			
		Reinforcing bar 		fischer rebar anchor FRA 	
Hammer drilling or compressed air drilling with standard drill bit 		all sizes			
Hammer drilling with hollow drill bit (fischer "FHD", Heller "Duster Expert", Bosch "Speed Clean", Hilti "TE-CD, TE-YD") 		Nominal drill bit diameter (d_0) 12 mm to 35 mm			
Use category	I1	dry or wet concrete	all sizes		
Characteristic resistance under static and quasi static loading, in	uncracked concrete	all sizes	Tables: C1.1 C1.2 C1.3 C2.1 C2.2 C2.3	all sizes	Tables: C1.1 C1.2 C1.3 C2.1 C2.2 C2.3 C5.1 C5.2
	cracked concrete		Tables: C3.1 C3.2 C3.3 C4.1 C4.2 C4.3		No performance assessed
Characteristic resistance under seismic loading		all sizes	Tables: C3.1 C3.2 C3.3 C4.1 C4.2 C4.3	No performance assessed	
Installation direction		D3 (downward and horizontal and upwards (e.g. overhead))			
Installation temperature		$T_{i,min} = -10\text{ °C}$ to $T_{i,max} = +40\text{ °C}$			
Service temperature	Temperature range	-40 °C to +80 °C		(max. short term temperature +80 °C; max long term temperature +50 °C)	
Resistance to fire		all sizes	Annex C 6	all sizes	Table C5.3
Rebar connection with injection system FIS RC II					Annex B 1 Appendix 8 / 24
Intended use Specifications part 1					

Specifications of intended use part 2

Anchorage subject to:

- Static and quasi-static loading: reinforcing bar (rebar) size 8 mm to 32 mm; FRA M12 to M24
- seismic loading: reinforcing bar (rebar) size 8 mm to 32 mm
- Fire exposure: reinforcing bar (rebar) size 8 mm to 32 mm; FRA M12 to M24

Base materials:

- Compacted reinforced or unreinforced normal weight concrete without fibres according to EN 206:2013+A1:2016
- Concrete strength classes C12/15 to C50/60 according to EN 206:2013+A1:2016
- Maximum chloride content of 0,40 % (CL 0.40) related to the cement content according to EN 206:2013+A1:2016
- Non-carbonated concrete

Note: In case of a carbonated surface of the existing concrete structure the carbonated layer shall be removed in the area of the post-installed rebar connection with a diameter of $\phi + 60$ mm prior to the installation of the new rebar. The depth of concrete to be removed shall correspond to at least the minimum concrete cover in accordance with EN 1992-1-1 :2004+AC:2010. The foregoing may be neglected if building components are new and not carbonated and if building components are in dry conditions.

Use conditions (Environmental conditions) for fischer rebar anchors FRA

- For all conditions according to EN1993-1-4:2006+A1:2015 corresponding to corrosion resistance classes to **Annex A 6 Table A6.2**.

Design:

- Fastenings are designed under the responsibility of an engineer experienced in fastenings and concrete work.
- Verifiable calculation notes and drawings are prepared taking account of the forces to be transmitted.
- Design according to EN 1992-1-1:2004+AC:2010; EN 1992-1-2:2004+AC:2008 and **Annex B 3 and B 4**.
- The actual position of the reinforcement in the existing structure shall be determined on the basis of the construction documentation and taken into account when designing.

Installation:

- The installation of post-installed rebar respectively fischer rebar anchor FRA shall be done only by suitable trained installer and under Supervision on site; the conditions under which an installer may be considered as suitable trained and the conditions for Supervision on site are up to the Member States in which the installation is done.
- Check the position of the existing rebars (if the position of existing rebars is not known, it shall be determined using a rebar detector suitable for this purpose as well as on the basis of the construction documentation and then marked on the building component for the overlap joint).

Rebar connection with injection system FIS RC II

Intended use
Specifications part 2

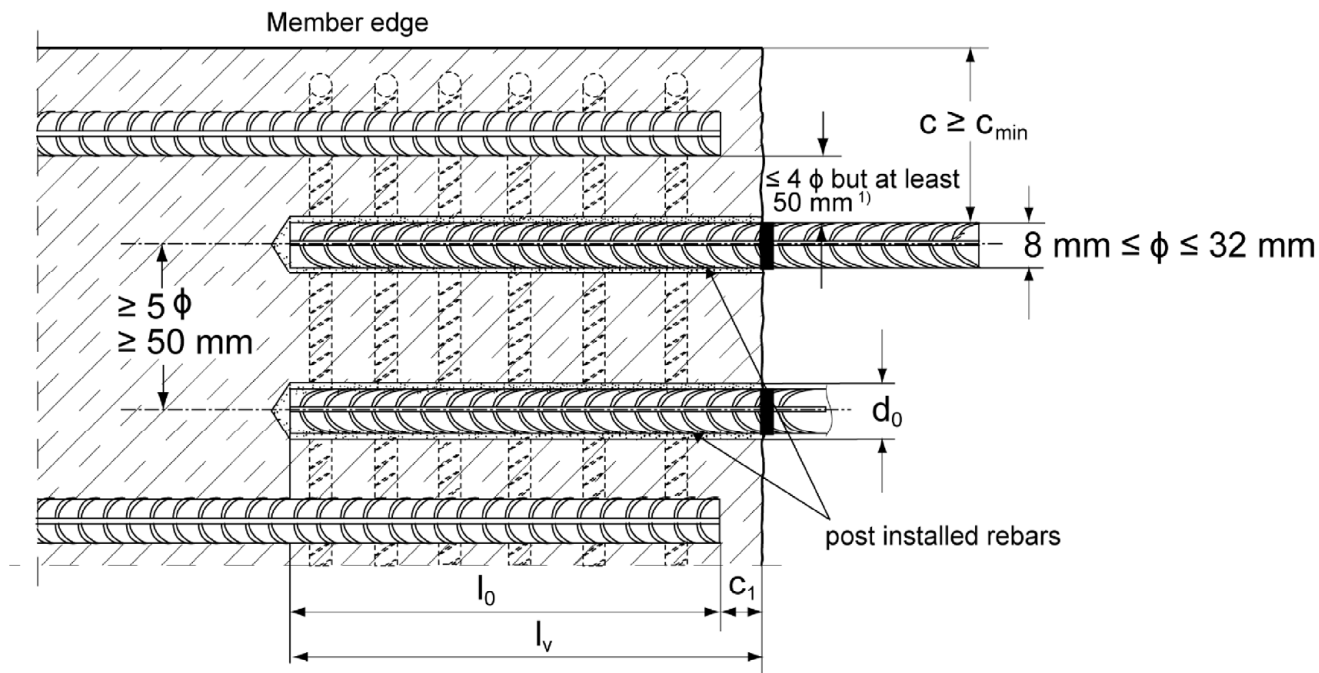
Annex B 2

Appendix 9 / 24

General construction rules for post-installed rebars

Figure B3.1:

- Only tension forces in the axis of the rebar may be transmitted.
- The transfer of shear forces between new concrete and existing structure shall be designed additionally according to EN 1992-1-1:2004+AC:2010.
- The joints for concreting must be roughened to at least such an extent that aggregate protrude.



- 1) If the clear distance between lapped bars exceeds 4ϕ but at least 50 mm then the lap length shall be increased by the difference between the clear bar distance and 4ϕ but at least 50 mm.

c	concrete cover of post-installed rebar
c_1	concrete cover at end-face of existing rebar
c_{min}	minimum concrete cover according to Table B5.1 and to EN 1992-1-1:2004+AC:2010, Section 4.4.1.2
ϕ	nominal diameter of reinforcing bar
l_0	lap length, according to EN 1992-1-1:2004+AC:2010
l_v	effective embedment depth, $\geq l_0 + c_1$
d_0	nominal drill bit diameter, see Annex B 6

Figures not to scale

Rebar connection with injection system FIS RC II

Intended use
General construction rules for post-installed rebars

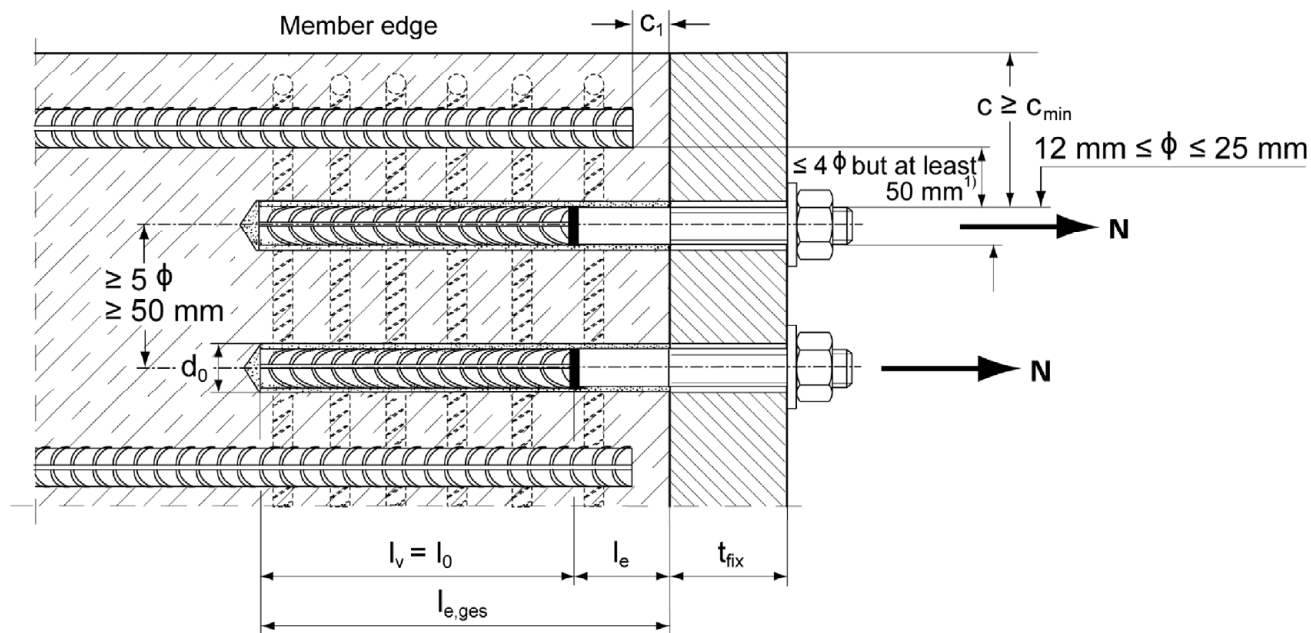
Annex B 3

Appendix 10 / 24

General construction rules for post-installed fischer rebar anchors FRA

Figure B4.1:

- Only tension forces in the axis of the fischer rebar anchor FRA may be transmitted.
- The tension force must be transferred via an overlap joint to the reinforcement in the building part.
- The transmission of the shear load shall be ensured by appropriate additional measures, e.g. by shear lugs or by anchors with a European Technical Assessment (ETA).
- In the anchor plate, the holes for the tension anchor shall be executed as slotted holes with the axis in the direction of the shear force.



¹⁾ If the clear distance between lapped bars exceeds 4ϕ but at least 50 mm then the lap length shall be increased by the difference between the clear bar distance and 4ϕ but at least 50 mm.

c	concrete cover of post-installed fischer rebar anchor FRA
C_1	concrete cover at end-face of existing rebar
c_{min}	minimum concrete cover according to Table B5.1 and to EN 1992-1-1:2004+AC:2010, Section 4.4.1.2
ϕ	nominal diameter of reinforcing bar
l_0	lap length, according to EN 1992-1-1:2004+AC:2010, Section 8.7.3
$l_{e,ges}$	overall embedment depth, $\geq l_0 + l_e$
d_0	nominal drill bit diameter, see Annex B 6
l_e	length of the bonded in threaded part
t_{fix}	thickness of the fixture
l_v	effective embedment depth

Figures not to scale

Rebar connection with injection system FIS RC II

Intended use

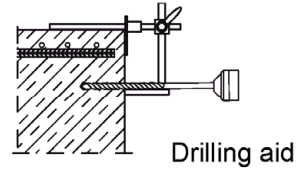
General construction rules for post-installed fischer rebar anchors FRA

Annex B 4

Appendix 11 / 24

Table B5.1: Minimum concrete cover $c_{min}^{(1)}$ depending of the drilling method and the drilling tolerance

Drilling method	nominal diameter of reinforcing bar ϕ [mm]	Minimum concrete cover c_{min}	
		Without drilling aid ²⁾ [mm]	With drilling aid ²⁾ [mm]
Hammer drilling with standard drill bit or hollow drill bit	< 25	30 mm + 0,06 $l_v \geq 2 \phi$	30 mm + 0,02 $l_v \geq 2 \phi$
	≥ 25	40 mm + 0,06 $l_v \geq 2 \phi$	40 mm + 0,02 $l_v \geq 2 \phi$
Compressed air drilling	< 25	50 mm + 0,08 l_v	50 mm + 0,02 l_v
	≥ 25	60 mm + 0,08 $l_v \geq 2 \phi$	60 mm + 0,02 $l_v \geq 2 \phi$



¹⁾ See Annex B 3, figure B3.1 and Annex B 4, figure B4.1

Note: The minimum concrete cover as specified in EN 1992-1-1:2004+AC:2010 must be observed. The same minimum concrete covers apply to rebar elements in case of seismic loading. $c_{min,seis} = 2 \phi$.

²⁾ For FRA (HCR) $l_{e,ges}$ instead of l_v .

Table B5.2: Dispensers and cartridge sizes corresponding to maximum embedment depth $l_{v,max}$

reinforcing bars (rebar)	fischer rebar anchor FRA	Manual dispenser	Accu and pneumatic dispenser (small)	Accu and pneumatic dispenser (large)
		Cartridge size		
ϕ [mm]	thread [-]	< 500 ml	> 500 ml	
		$l_{v,max} / l_{e,ges,max}$ [mm]		$l_{v,max} / l_{e,ges,max}$ [mm]
8	---	1000	1000	1800
10	---		1200	
12	FRA M12 FRA HCR M12			
14	---			
16	FRA M16 FRA HCR M16	700	1300	2000
18, 20, 22, 24	FRA M20 FRA HCR M20		1000	
25	FRA M24 FRA HCR M24	700	700	2000
28	---		700	
30, 32	---	700	700	$T_i > 0^\circ C$: 1500 $T_i \leq 0^\circ C$: 2000

Table B5.3: Conditions for use static mixer without an extension tube

Nominal drill hole diameter d_0	[mm]	10	12	14	16	18	20	24	25	30	35	40
		Drill hole depth h_0 by FIS MR Plus using FIS JMR		≤ 90	≤ 120	≤ 140	≤ 150	≤ 160	≤ 190	≤ 210		
		-	-	≤ 90	≤ 160	≤ 180	≤ 190	≤ 220	≤ 250			

Rebar connection with injection system FIS RC II

Intended use
Minimum concrete cover;
dispenser and cartridge sizes corresponding to maximum embedment depth

Annex B 5

Appendix 12 / 24

Table B6.1: Working times t_{work} and curing times t_{cure}

Temperature in the anchorage base [°C]	Maximum working time ¹⁾	Minimum curing time ²⁾
	t_{work} FIS RC II	t_{cure} FIS RC II
-10 to 0	20 min ³⁾	12 h
> 0 to 5	13 min ³⁾	3 h
> 5 to 10	9 min ³⁾	90 min
> 10 to 20	5 min	60 min
> 20 to 30	4 min	45 min
> 30 to 40	2 min ⁴⁾	35 min

1) Maximum time from the beginning of the injection to rebar / fischer rebar anchor FRA setting and positioning

2) For wet concrete the curing time must be doubled

3) If the temperature in the concrete falls below 10 °C the cartridge must be warmed up to +15 °C

4) If the temperature in the concrete exceeds 30 °C the cartridge must be cooled down to +15 °C up to 20 °C

Table B6.2: Installation tools for drilling and cleaning the bore hole and injection of the mortar

reinforcing bars (rebar) ϕ [mm]	fischer rebar anchor FRA Designation	Drilling and cleaning				Injection	
		Nominal drill bit diameter d_0 [mm]	Diameter of cutting edge d_{cut} [mm]	Steel brush diameter d_b [mm]	Diameter of fischer compressed-air nozzle [mm]	Diameter of extension tube [mm]	Injection adapter [colour]
8 ¹⁾	---	10	$\leq 10,50$	11,0	---	9	---
		12	$\leq 12,50$	12,5	11		nature
10 ¹⁾	---	12	$\leq 12,50$	12,5		15	9
		14	$\leq 14,50$	15	red		
12 ¹⁾	FRA M12 ¹⁾ FRA HCR M12 ¹⁾	14	$\leq 14,50$	15	19	9 or 15	yellow
		16	$\leq 16,50$	17			green
14	---	18	$\leq 18,50$	19	28	9 or 15	black
16	FRA M16 FRA HCR M16	20	$\leq 20,55$	21,5			32
18	FRA M20	25	$\leq 25,55$	26,5	37	9 or 15	
20	FRA HCR M20						
22	---	30	$\leq 30,55$	32	37	9 or 15	brown
24	---						
25 ¹⁾	FRA M24 ¹⁾ FRA HCR M24 ¹⁾	30	$\leq 30,55$	32	38	9 or 15	red
		35	$\leq 35,70$	37			
28	---	35	$\leq 35,70$	37	38	9 or 15	red
30	---	40	$\leq 40,70$	42			
32	---						

1) Both drill bit diameters can be used

Rebar connection with injection system FIS RC II

Intended use

Working times and curing times;
Installation tools for drilling and cleaning the bore hole and injection of the mortar

Annex B 6

Appendix 13 / 24

Safety regulations



Review the Safety Data Sheet (SDS) before use for proper and safe handling!
Wear well-fitting protective goggles and protective gloves when working with mortar FIS RC II.

Important: Observe the instructions for use provided with each cartridge.

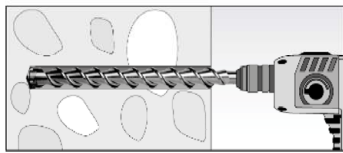
Installation instruction part 1; Installation with FIS RC II

Hole drilling

Note: Before drilling, remove carbonized concrete; clean contact areas (see **Annex B 2**)

In case of aborted drill holes the drill hole shall be filled with mortar.

1a Hammer drilling or compressed air drilling

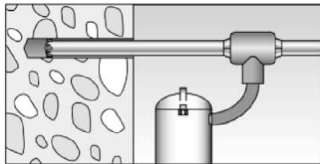


1a

Drill the hole to the required embedment depth using a hammer drill with carbide drill bit set in rotation hammer mode or a pneumatic drill.

Drill bit sizes see **Table B6.2**.

1b Hammer drilling with hollow drill bit

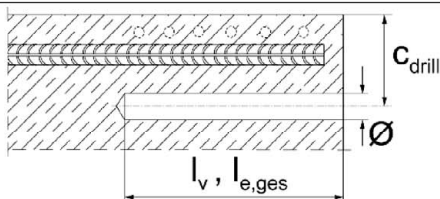


1b

Drill the hole to the required embedment depth using a hammer drill with hollow drill bit in rotation hammer mode. Dust extraction conditions see drill hole cleaning

Annex B 8.

Drill bit sizes see **Table B6.2**.



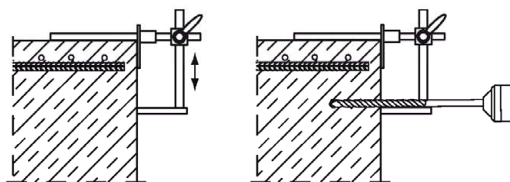
2

Measure and control concrete cover c

($c_{\text{drill}} = c + \text{Ø} / 2$)

Drill parallel to surface edge and to existing rebar.

Where applicable use drilling aid.



For holes $l_v > 20$ cm use drilling aid.

Three different options can be considered:

- A) drilling aid
- B) Slat or spirit level
- C) Visual check

Minimum concrete cover c_{min} see **Table B5.1**.

Rebar connection with injection system FIS RC II

Intended use

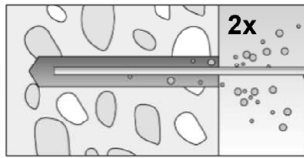
Safety regulations; Installation instruction part 1, hole drilling

Annex B 7

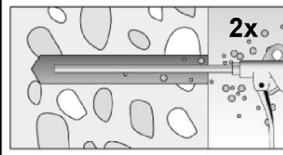
Installation instruction part 2; Installation with FIS RC II

Drill hole cleaning

Hammer or compressed air drilling

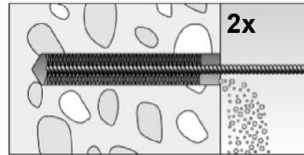


Clean the drill hole:
For $d_0 < 18$ mm and depths l_v resp.
 $l_{e,ges} \leq 12 \cdot \phi$
blow out the hole two times by hand

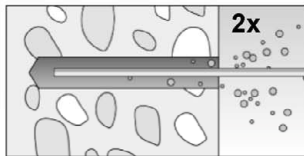


For $d_0 \geq 18$ mm and depths l_v resp.
 $l_{e,ges} > 12 \cdot \phi$ blow out the hole two times with oil-free compressed air ($p \geq 6$ bar). Use suitable compressed-air nozzle (see **Table B6.2**).

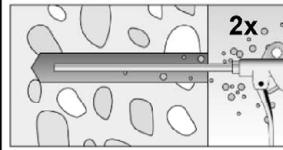
3a



Brush drill hole two times; for drill hole diameters $d_0 \geq 30$ mm attach brush to a power tool and brush hole with a speed of max. 550 revolutions per minute. For deep holes a brush extension is mandatory. Use suitable brushes (see **Table B6.2**).



Clean the drill hole:
For $d_0 < 18$ mm and depths l_v resp.
 $l_{e,ges} \leq 12 \cdot \phi$
blow out the hole two times by hand

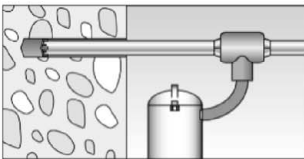


For $d_0 \geq 18$ mm and depths l_v resp.
 $l_{e,ges} > 12 \cdot \phi$ blow out the hole two times with oil-free compressed air ($p \geq 6$ bar) Use suitable compressed-air nozzle (see **Table B6.2**).

Hammer drilling with hollow drill bit



3b



Use a suitable dust extraction system, e. g. fischer FVC 35 M or a comparable dust extraction system with equivalent performance data.
Drill the hole with hollow drill bit. The dust extraction system has to extract the drill dust nonstop during the drilling process and must be adjusted to maximum power.
No further drill hole cleaning necessary

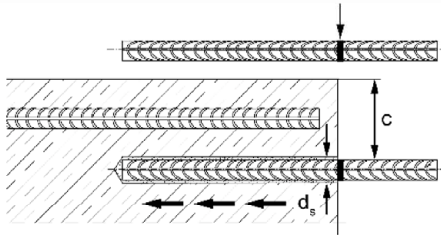
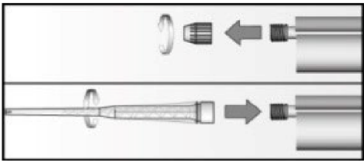
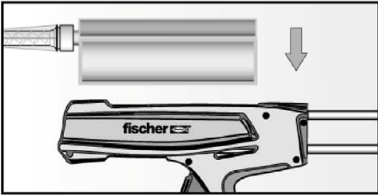
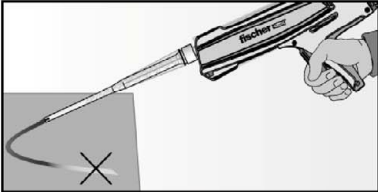
Rebar connection with injection system FIS RC II

Intended use
Installation instruction part 2, drill hole cleaning

Annex B 8
Appendix 15 / 24

Installation instruction part 3; Installation with FIS RC II

reinforcing bars (rebar) / fischer rebar anchor FRA and cartridge preparation

4		<p>Before use, ensure that the rebar or the fischer rebar anchor FRA is dry and free of oil or other residue. Mark the embedment depth l_v (e.g. with tape) Insert rebar in borehole, to verify drill hole depth and setting depth l_v resp. $l_{e,ges}$</p>
5		<p>Twist off the sealing cap Twist on the static mixer (the spiral in the static mixer must be clearly visible).</p>
6		<p>Place the cartridge into a suitable dispenser.</p>
7		<p>Press out approximately 10 cm of mortar until the resin is permanently grey in colour. Mortar which is not grey in colour will not cure and must be disposed.</p>

Rebar connection with injection system FIS RC II

Intended use

Installation instruction part 3,
reinforcing bars (rebar) / fischer rebar anchor FRA and cartridge preparation

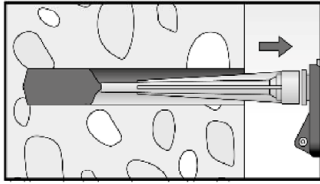
Annex B 9

Appendix 16 / 24

Installation instruction part 4; Installation with FIS RC II

Injection of the mortar without extension tube

8a

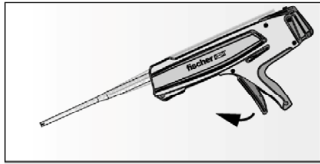


Inject the mortar from the back of the hole towards the front and slowly withdraw the static mixer step by step with each trigger pull.

Avoid bubbles.

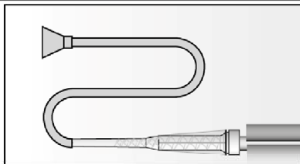
Fill holes approximately 2/3 full, to ensure that the annular gap between the rebar and the concrete will be completely filled with adhesive over the entire embedment length.

The conditions for mortar injection without extension tube can be found in **Table B5.3**



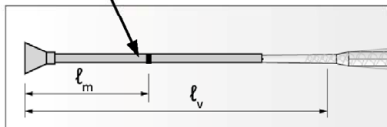
After injecting, release the dispenser. This will prevent further mortar discharge from the static mixer.

Injection of the mortar with extension tube



Assemble mixing nozzle FIS MR Plus or FIS JMR, extension tube and appropriate injection adapter (see **Table B6.2**)

Mortar level mark



Mark the required mortar level l_m and embedment depth l_v resp. $l_{e,ges}$ with tape or marker on the injection extension tube.

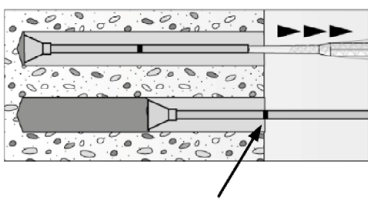
a) Estimation:

$$l_m = \frac{1}{3} \cdot l_v \text{ resp. } l_m = \frac{1}{3} \cdot l_{e,ges} \text{ [mm]}$$

b) Precise equation for optimum mortar volume:

$$l_m = l_v \text{ resp. } l_{e,ges} \left(\left(1,2 \cdot \frac{d_s^2}{d_0^2} - 0,2 \right) \right) \text{ [mm]}$$

8b



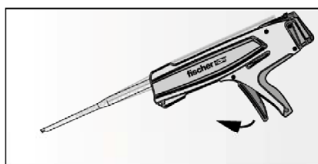
Mortar level mark

Insert injection adapter to back of the hole. Begin injection allowing the pressure of the injected adhesive mortar to push the injection adapter towards the front of the hole. Do not actively pull out!

Fill holes approximately 2/3 full, to ensure that the annular gap between the rebar and the concrete will be completely filled with adhesive over the embedment length.

When using an injection adapter continue injection until the mortar level mark l_m becomes visible.

Maximum embedment depth see **Table B5.2**



After injecting, release the dispenser. This will prevent further mortar discharge from static mixer.

Rebar connection with injection system FIS RC II

Intended use

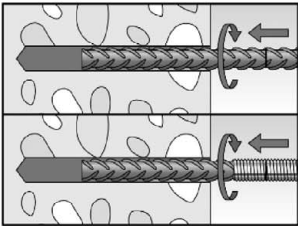
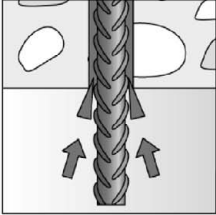
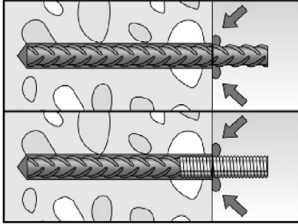

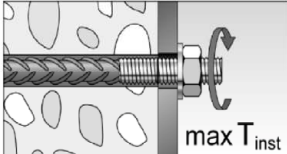
Installation instruction part 4, mortar injection

Annex B 10

Appendix 17 / 24

Installation instruction part 5; Installation with FIS RC II

Insert rebar / fischer rebar anchor FRA

9		<p>Insert the rebar / fischer rebar anchor FRA slowly twisted into the borehole until the embedment mark is reached. Recommendation: Rotation back and forth of the reinforcement bar or the fischer rebar anchor FRA makes pushing easy</p>
10		<p>For overhead installation, support the rebar / fischer rebar anchor FRA and secure it from falling till mortar started to harden, e.g. using wedges.</p>
11		<p>After installing the rebar or fischer rebar anchor FRA the annular gap must be completely filled with mortar.</p> <p>Proper installation</p> <ul style="list-style-type: none">• Desired embedment depth is reached l_v, resp. $l_{e,ges}$: embedment mark at concrete surface• Excess mortar flows out of the borehole after the rebar has been fully inserted up to the embedment mark.
12		<p>Observe the working time "t_{work}" (see Table B6.1), which varies according to temperature of base material. Minor adjustments to the rebar / fischer rebar anchor FRA position may be performed during the working time</p> <p>Full load may be applied only after the curing time "t_{cure}" has elapsed (see Table B 6.1)</p>
13		<p>Mounting the fixture for fischer rebar anchor FRA, max T_{inst} see Table A6.1</p>

Rebar connection with injection system FIS RC II

Intended use

Installation instruction part 5, insert rebar / fischer rebar anchor FRA

Annex B 11

Appendix 18 / 24

Minimum anchorage length and minimum lap length for 50 years working life

The minimum anchorage length $l_{b,min}$ and the minimum lap length $l_{0,min}$ according to EN 1992-1-1:2004 +AC:2010 shall be multiplied by the relevant amplification factor α_{lb} according to **Table C1.1**.

Table C1.1: Amplification factor α_{lb} related to concrete strength class and drilling method

Hammer drilling, hollow drilling and compressed air drilling										
Rebar / fischer rebar anchor FRA	Amplification factor α_{lb}									
	Concrete strength class									
	ϕ [mm]	C12/15	C16/20	C20/25	C25/30	C30/37	C35/45	C40/50	C45/55	C50/60
8 to 25	1,0						1,1		1,2	
28 to 32	1,0									

Table C1.2: Bond efficiency factor k_b related to concrete strength class and drilling method

Hammer drilling, hollow drilling and compressed air drilling										
Rebar / fischer rebar anchor FRA	Bond efficiency factor k_b									
	Concrete strength class									
	ϕ [mm]	C12/15	C16/20	C20/25	C25/30	C30/37	C35/45	C40/50	C45/55	C50/60
8 to 25	1,00									
28 to 32	1,00						0,91	0,84	0,84	

Table C1.3: Design values of the bond strength $f_{bd,PIR}$ in N/mm² related to concrete strength class and drilling method for good bond conditions

$$f_{bd,PIR} = k_b \cdot f_{bd}$$

f_{bd} : Design value of the bond strength in N/mm² considering the concrete strength classes and the rebar diameter for good bond condition (for all other bond conditions multiply the values by $\eta_1 = 0,7$) and recommended partial factor $\gamma_c = 1,5$ according to EN 1992-1-1: 2004+AC:2010

k_b : Bond efficiency factor according to **Table C1.2**

Hammer drilling, hollow drilling and compressed air drilling									
Rebar / fischer rebar anchor FRA	Bond strength $f_{bd,PIR}$ [N/mm ²]								
	Concrete strength class								
	ϕ [mm]	C12/15	C16/20	C20/25	C25/30	C30/37	C35/45	C40/50	C45/55
8 to 25	1,6	2,0	2,3	2,7	3,0	3,4	3,7	4,0	4,3
28 to 32	1,6	2,0	2,3	2,7	3,0	3,4	3,4	3,4	3,7

Rebar connection with injection system FIS RC II

Performance

Amplification factor α_{lb} , bond efficiency factor k_b , design values of the bond strength $f_{bd,PIR}$

Annex C 1

Appendix 19 / 24

Minimum anchorage length and minimum lap length for 100 years working life

The minimum anchorage length $l_{b,min}$ and the minimum lap length $l_{0,min}$ according to EN 1992-1-1:2004 +AC:2010 shall be multiplied by the relevant amplification factor $\alpha_{lb,100y}$ according to **Table C2.1**.

Table C2.1: Amplification factor $\alpha_{lb,100y}$ related to concrete strength class and drilling method

Hammer drilling, hollow drilling and compressed air drilling

Rebar / fischer rebar anchor FRA	Amplification factor $\alpha_{lb,100y}$									
	Concrete strength class									
	ϕ [mm]	C12/15	C16/20	C20/25	C25/30	C30/37	C35/45	C40/50	C45/55	C50/60
8 to 12	1,0					1,1	1,2	1,2	1,3	
14 to 25	1,0					1,1	1,2	1,2	1,2	
28 to 32	1,0								1,1	

Table C2.2: Bond efficiency factor $k_{b,100y}$ related to concrete strength class and drilling method

Hammer drilling, hollow drilling and compressed air drilling

Rebar / fischer rebar anchor FRA	Bond efficiency factor $k_{b,100y}$									
	Concrete strength class									
	ϕ [mm]	C12/15	C16/20	C20/25	C25/30	C30/37	C35/45	C40/50	C45/55	C50/60
8 to 12	1,00									
14 to 25	1,00							0,92	0,86	
28 to 32	1,00				0,90	0,90	0,82	0,76	0,76	

Table C2.3: Design values of the bond strength $f_{bd,PIR,100y}$ in N/mm² related to concrete strength class and drilling method for good bond conditions

$$f_{bd,PIR,100y} = k_{b,100y} \cdot f_{bd}$$

f_{bd} : Design value of the bond strength in N/mm² considering the concrete strength classes and the rebar diameter for good bond condition (for all other bond conditions multiply the values by $\eta_1 = 0,7$)

and recommended partial factor $\gamma_c = 1,5$ according to EN 1992-1-1: 2004+AC:2010

$k_{b,100y}$: Bond efficiency factor according to **Table C2.2**

Hammer drilling, hollow drilling and compressed air drilling

Rebar / fischer rebar anchor FRA	Bond strength $f_{bd,PIR,100y}$ [N/mm ²]								
	Concrete strength class								
	ϕ [mm]	C12/15	C16/20	C20/25	C25/30	C30/37	C35/45	C40/50	C45/55
8 to 12	1,6	2,0	2,3	2,7	3,0	3,4	3,7	4,0	4,3
14 to 25	1,6	2,0	2,3	2,7	3,0	3,4	3,7	3,7	3,7
28 to 32	1,6	2,0	2,3	2,7	2,7	3,0	3,0	3,0	3,4

Rebar connection with injection system FIS RC II

Performance

Amplification factor $\alpha_{lb,100y}$ bond efficiency factor $k_{b,100y}$,
design values of the bond strength $f_{bd,PIR,100y}$

Annex C 2

Appendix 20 / 24

Minimum anchorage length and minimum lap length under seismic conditions for 50 years working life

The minimum anchorage length $l_{b,min}$ and the minimum lap length $l_{0,min}$ according to EN 1992-1-1: 2004+AC:2010 shall be multiplied by the relevant amplification factor $\alpha_{lb,seis}$ according to table C3.1.

Table C3.1: Amplification factor $\alpha_{lb,seis}$ related to concrete strength class and drilling method

Hammer drilling, hollow drilling and compressed air drilling

Rebar ϕ [mm]	Amplification factor $\alpha_{lb,seis}$							
	Concrete strength class							
	C16/20	C20/25	C25/30	C30/37	C35/45	C40/50	C45/55	C50/60
8-25	1,0				1,1		1,2	
28 to 32	1,0							

Table C3.2: Bond efficiency factor $k_{b,seis}$ for hammer drilling, hollow drilling and compressed air drilling with a service life of 50 years

Hammer drilling, hollow drilling and compressed air drilling

Rebar ϕ [mm]	Bond efficiency factor $k_{b,seis}$							
	Concrete strength class							
	C16/20	C20/25	C25/30	C30/37	C35/45	C40/50	C45/55	C50/60
8-25	1,00							
32	1,0				0,91	0,84	0,84	

Table C3.3: Design values of the bond strength $f_{bd,PIR,seis}$ in N/mm^2 for hammer drilling, hollow drilling and compressed air drilling **under seismic action** and for good bond conditions with a service life of 50 years

$$f_{bd,PIR,seis} = k_{b,seis} \cdot f_{bd}$$

Hammer drilling, hollow drilling and compressed air drilling

Rebar ϕ [mm]	bond strength $f_{bd,PIR,seis}$ [N/mm^2]							
	Concrete strength class							
	C16/20	C20/25	C25/30	C30/37	C35/45	C40/50	C45/55	C50/60
8-25	2,0	2,3	2,7	3,0	3,4	3,7	4,0	4,3
28 -32	2,0	2,3	2,7	3,0	3,4	3,4	3,4	3,7

Rebar connection with injection system FIS RC II

Performance

Amplification factor $\alpha_{lb,seis}$, bond efficiency factor $k_{b,seis}$, Design values of the bond strength $f_{bd,PIR,seis}$

Annex C 3

Appendix 21 / 24

Minimum anchorage length and minimum lap length under seismic conditions for 100 years working life

The minimum anchorage length $l_{b,min}$ and the minimum lap length $l_{0,min}$ according to EN 1992-1-1: 2004+AC:2010 shall be multiplied by the relevant amplification factor $\alpha_{lb,seis,100y}$ according to table C4.1.

Table C4.1: Amplification factor $\alpha_{lb,seis,100y}$ related to concrete strength class and drilling method

Hammer drilling, hollow drilling and compressed air drilling

Rebar ϕ [mm]	Amplification factor $\alpha_{lb,seis,100y}$							
	Concrete strength class							
	C16/20	C20/25	C25/30	C30/37	C35/45	C40/50	C45/55	C50/60
8 - 12	1,0				1,1	1,2	1,2	1,3
14 - 25	1,0				1,1	1,2	1,2	1,2
28 - 32	1,0							1,1

Table C4.2: Bond efficiency factor $k_{b,seis,100y}$ for hammer drilling, hollow drilling and compressed air drilling with a service life of 100 years

Hammer drilling, hollow drilling and compressed air drilling

Rebar ϕ [mm]	Bond efficiency factor $k_{b,seis,100y}$							
	Concrete strength class							
	C16/20	C20/25	C25/30	C30/37	C35/45	C40/50	C45/55	C50/60
8 to 12	1,00							
14 to 25	1,00						0,92	0,86
28 to 32	1,00			0,90	0,90	0,82	0,76	0,76

Table C4.3: Design values of the bond strength $f_{bd,PIR,seis,100y}$ in N/mm² for hammer drilling, hollow drilling and compressed air drilling **under seismic action** and for good bond conditions with a service life of 100 years

$$f_{bd,PIR,seis,100y} = k_{b,seis,100y} \cdot f_{bd}$$

Hammer drilling, hollow drilling and compressed air drilling

Rebar ϕ [mm]	bond strength $f_{bd,PIR,seis,100y}$ [N/mm ²]							
	Concrete strength class							
	C16/20	C20/25	C25/30	C30/37	C35/45	C40/50	C45/55	C50/60
8-12	2,0	2,3	2,7	3,0	3,4	3,7	4,0	4,3
14-25	2,0	2,3	2,7	3,0	3,4	3,7	3,7	3,7
28-32	2,0	2,3	2,7	2,7	3,0	3,0	3,0	3,4

Rebar connection with injection system FIS RC II

Performance

Amplification factor $\alpha_{lb,seis,100y}$, bond efficiency factor $k_{b,seis,100y}$, Design values of the bond strength $f_{bd,PIR,seis,100y}$

Annex C 4

Appendix 22 / 24

Table C5.1: Characteristic tensile yield strength for rebar part of fischer rebar anchors FRA

fischer rebar anchor FRA / FRA HCR		M12	M16	M20	M24
Characteristic tensile yield strength for rebar part					
Rebar diameter	ϕ [mm]	12	16	20	25
Characteristic tensile yield strength for rebar	f_{yk} [N/mm ²]	500	500	500	500
Partial factor for rebar part	$\gamma_{Ms,N}^{1)}$ [-]	1,15			

¹⁾ In absence of national regulations

Table C5.2: Characteristic resistance to steel failure under tension loading of fischer rebar anchors FRA

fischer rebar anchor FRA / FRA HCR		M12	M16	M20	M24
Characteristic resistance to steel failure under tension loading					
Characteristic resistance	$N_{Rk,s}$ [kN]	62	111	173	263
Partial factor					
Partial factor	$\gamma_{Ms,N}^{1)}$ [-]	1,4			

¹⁾ In absence of national regulations

Table C5.3: Characteristics resistance to steel failure for fischer rebar anchors FRA under tension loading and fire exposure R30 to R120

fischer rebar anchor FRA / FRA HCR		M12	M16	M20	M24	
Characteristic resistance to steel failure under tension loading and fire exposure	R30	$N_{Rk,s,fi}$ [kN]	2,5	4,7	7,4	10,6
	R60		2,1	3,9	6,1	8,8
	R90		1,7	3,1	4,9	7,1
	R120		1,3	2,5	3,9	5,6

[Empty space reserved for additional data or notes]

Rebar connection with injection system FIS RC II	Annex C 5 Appendix 23 / 24
Performance Characteristic tensile yield strength for rebar part of FRA; Design value of the steel bearing capacity $N_{Rk,s,fi}$ under fire exposure for fischer rebar anchor FRA	

Design value of the ultimate bond strength $f_{bd,fi}$ resp. $f_{bd,fi,100y}$ at increased temperature for concrete strength classes C12/15 to C50/60 (all drilling methods)

The design value of the bond strength $f_{bd,fi}$ resp. $f_{bd,fi,100y}$ at increased temperature has to be calculated by the following equation:

$$f_{bd,fi,(100y)} = k_{fi,(100y)}(\theta) \cdot f_{bd,PIR,(100y)} \cdot \frac{\gamma_c}{\gamma_{m,fi}}$$

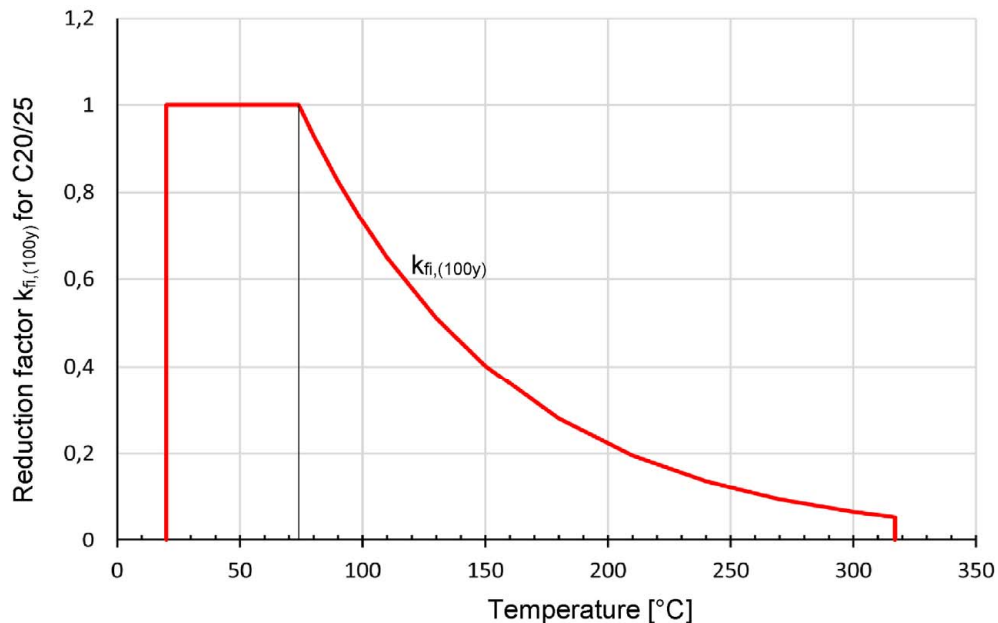
$$\text{If: } \theta > 74 \text{ } ^\circ\text{C} \quad k_{fi,(100y)}(\theta) = \frac{24,308 \cdot e^{-0,012 \cdot \theta}}{f_{bd,PIR,(100y)} \cdot 4,3} \leq 1,0$$

$$\text{If: } \theta > \theta_{\max} (317 \text{ } ^\circ\text{C}) \quad k_{fi}(\theta) = 0$$

- $f_{bd,fi}$ = Design value of the ultimate bond strength at increased temperature in N/mm² for working life 50 years
- $f_{bd,fi,100y}$ = Design value of the ultimate bond strength at increased temperature in N/mm² for working life 100 years
- θ = Temperature in °C in the mortar layer
- $k_{fi}(\theta)$ = Reduction factor at increased temperature for working life 50 years
- $k_{fi,100y}(\theta)$ = Reduction factor at increased temperature for working life 100 years
- $f_{bd,PIR}$ = Design value of the bond strength in N/mm² in cold condition according to **Table C1.3** considering the concrete strength classes, the rebar diameter, the drilling method and the bond conditions according to EN 1992-1-1:2004+AC:2010
- $f_{bd,PIR,100y}$ = Design value of the bond strength in N/mm² in cold condition according to **Table C2.3** considering the concrete strength classes, the rebar diameter, the drilling method and the bond conditions according to EN 1992-1-1:2004+AC:2010
- γ_c = 1,5 recommended partial factor according to EN 1992-1-1:2004+AC:2010
- $\gamma_{m,fi}$ = 1,0 recommended partial factor

For evidence at increased temperature the anchorage length shall be calculated according to EN 1992-1-1:2004+AC:2010 Equation 8.3 using the temperature-dependent ultimate design value of bond strength $f_{bd,fi}$ resp. $f_{bd,fi,100y}$.

Figure C6.1: Example graph of reduction factor $k_{fi,(100y)}(\theta)$ for concrete class C20/25 for good bond conditions



Rebar connection with injection system FIS RC II

Performance

Design value of bond strength $f_{bd,fi}$ resp. $f_{bd,fi,100y}$ at increased temperature

Annex C 6

Appendix 24 / 24