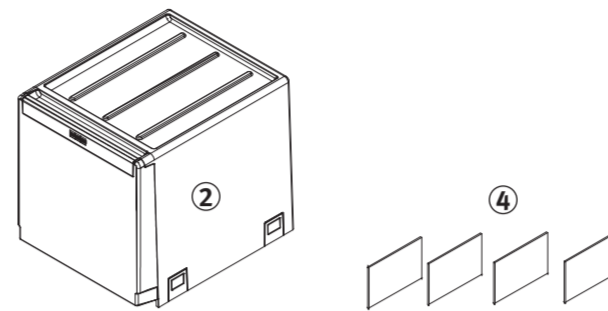


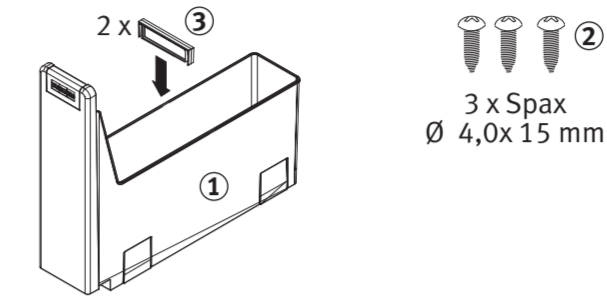
FRANKE



Cube 40

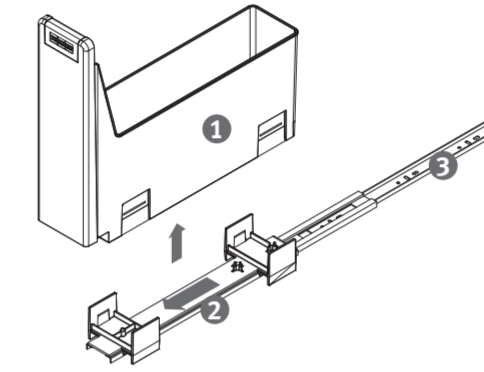
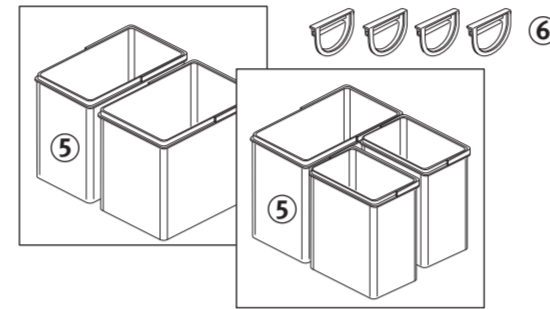
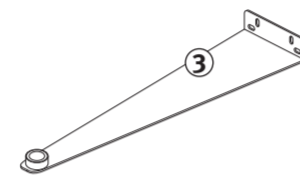


Cube 10



Cube 40 A
Cube 40 A + 1x Cube 10
Cube 40 A + 2x Cube 10

14 x Spax
Ø4,0x 15 mm

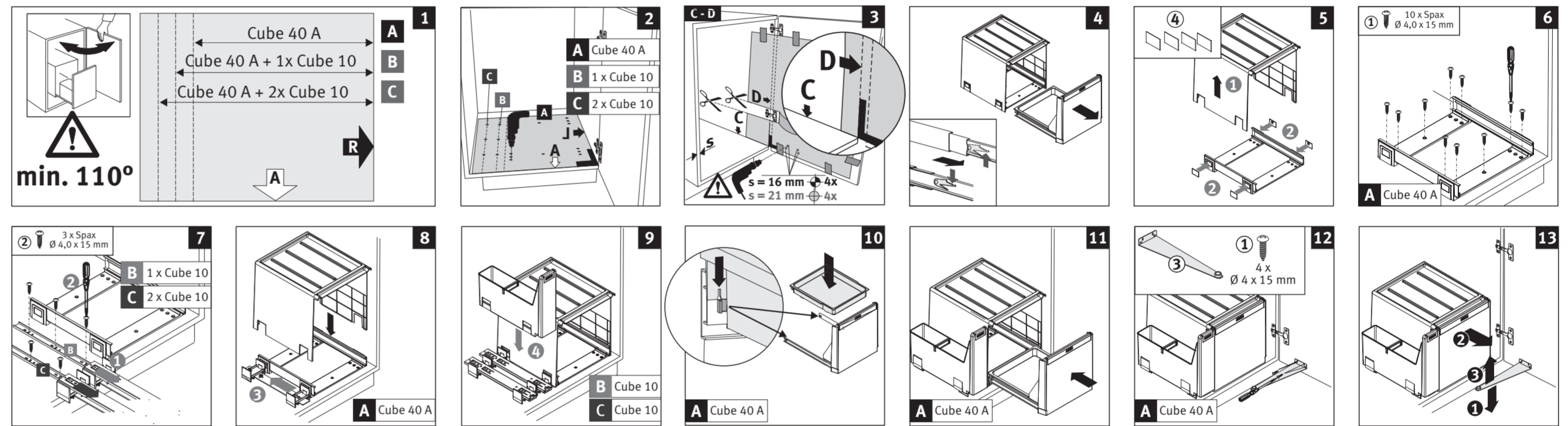


24
24

112

142

94



207

Cube 40 A (393 mm)

Cube 40 A + 1x Cube 10 (416,5 mm)

Cube 40 A + 2x Cube 10 (515,0 mm)

98,5

95,5

124,5

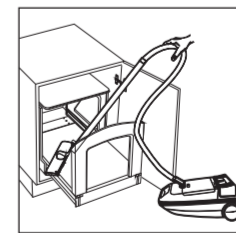
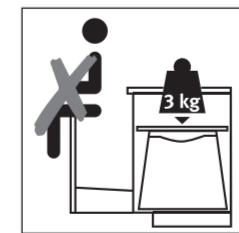
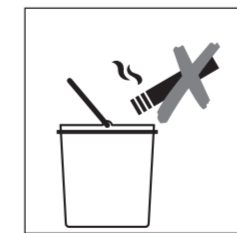
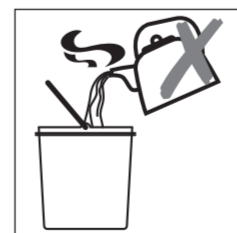
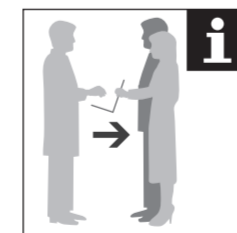
124,5

72

24

24

78



s = 16 mm s = 21 mm

ø 2 mm

65

60

10

70

60

21

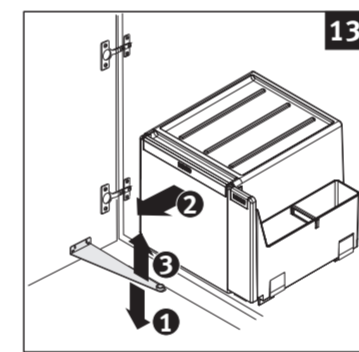
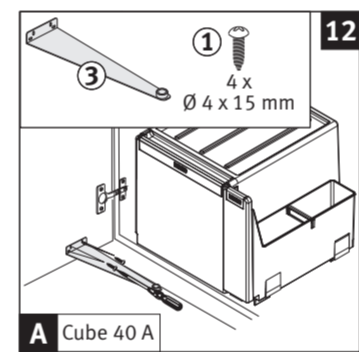
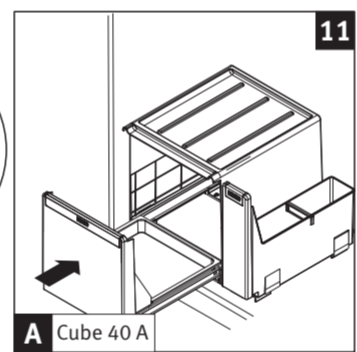
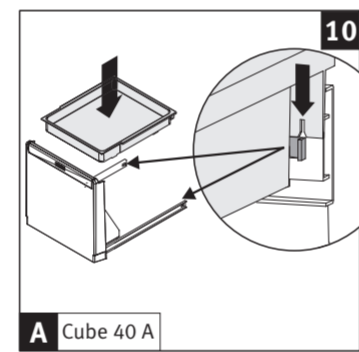
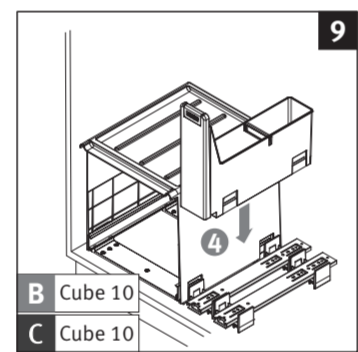
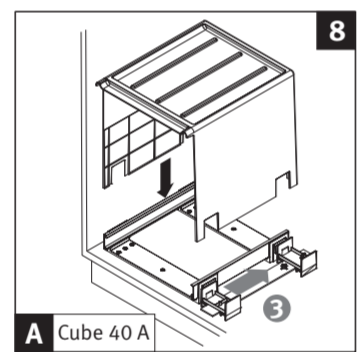
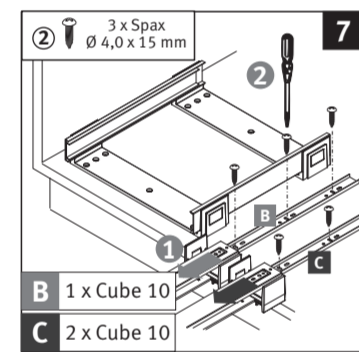
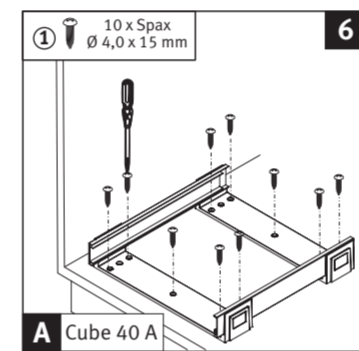
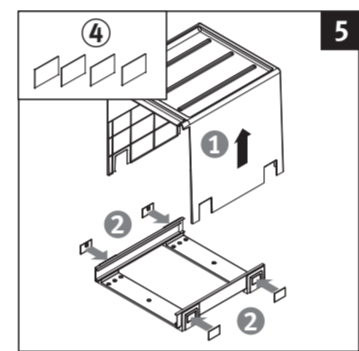
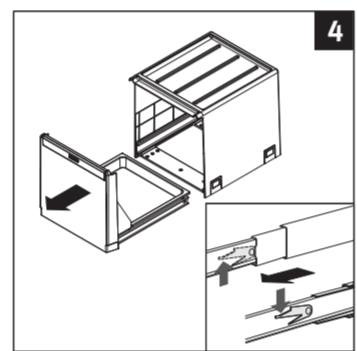
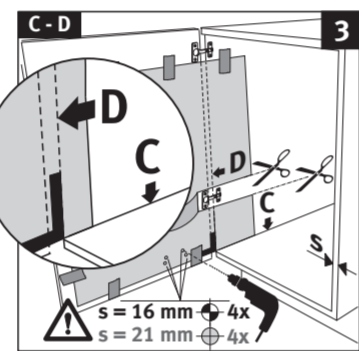
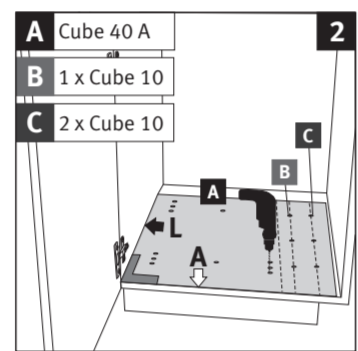
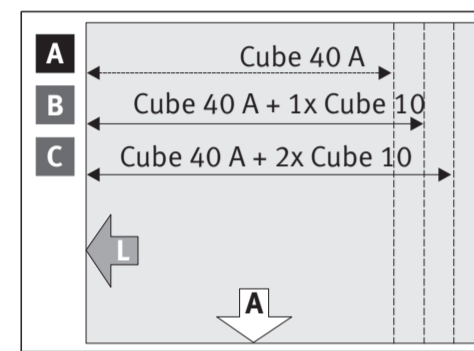
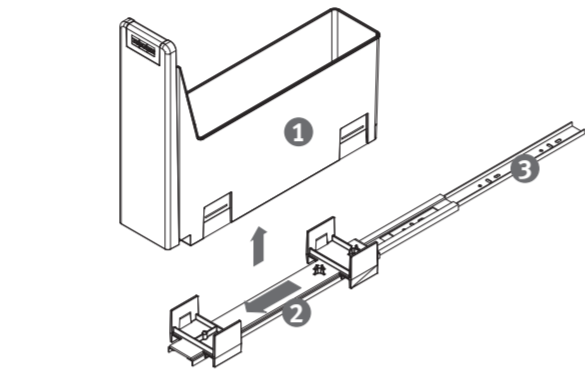
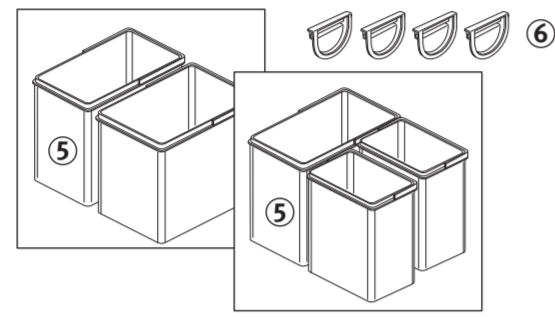
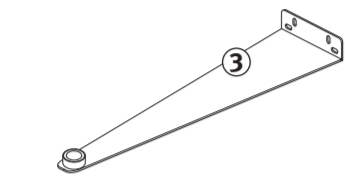
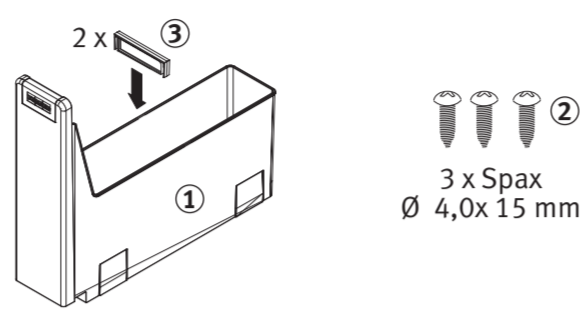
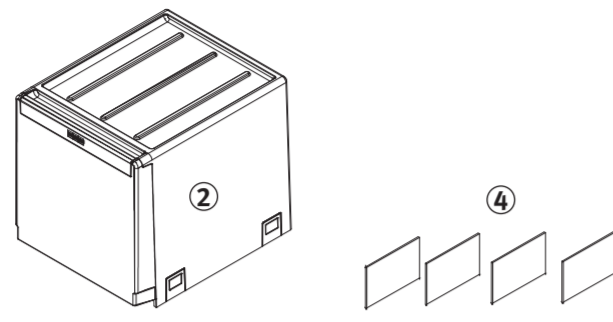
A



Cube 40

Cube 10

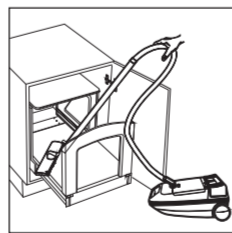
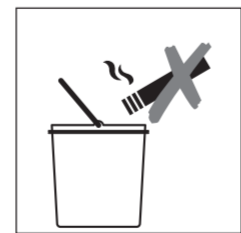
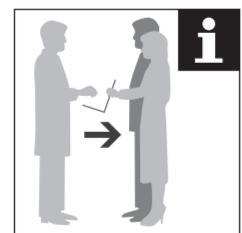
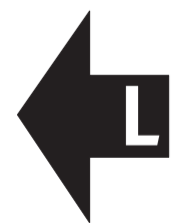
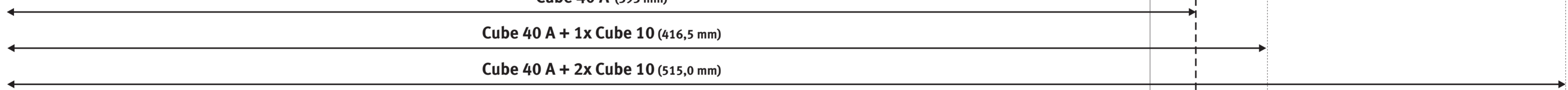
①
14 x Spax
Ø4,0x 15 mm



Cube 40 A (393 mm)

Cube 40 A + 1x Cube 10 (416,5 mm)

Cube 40 A + 2x Cube 10 (515,0 mm)



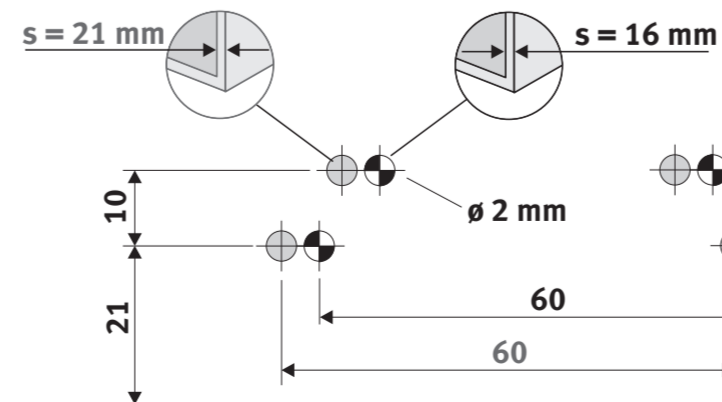
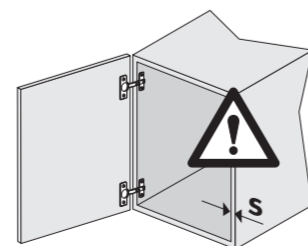
72

124,5

124,5

95,5

98,5



7 612980 021772
993.0044.413 / 08.08.2008