

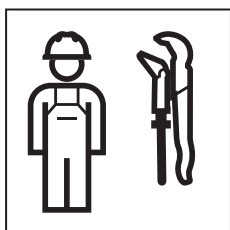
MAINTENANCE MANUAL

INSTANDHALTUNGSANLEITUNG

MANUEL D'ENTRETIEN

ISTRUZIONI PER LA MANUTENZIONE

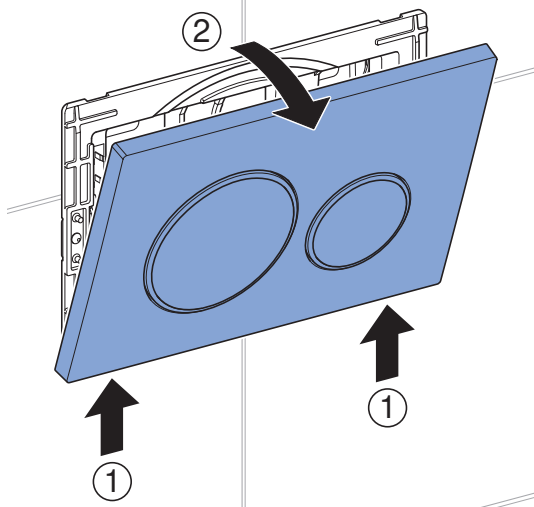
**KNOW
HOW**
INSTALLED



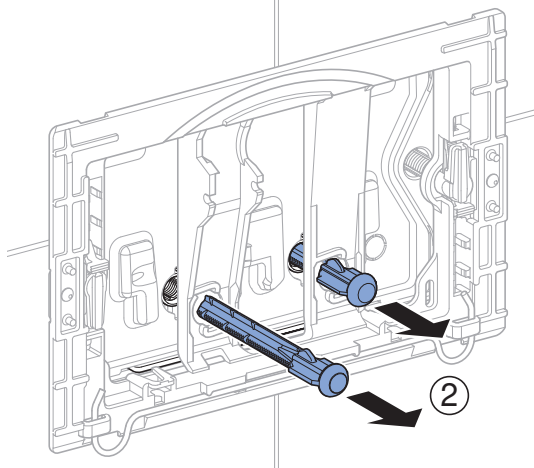
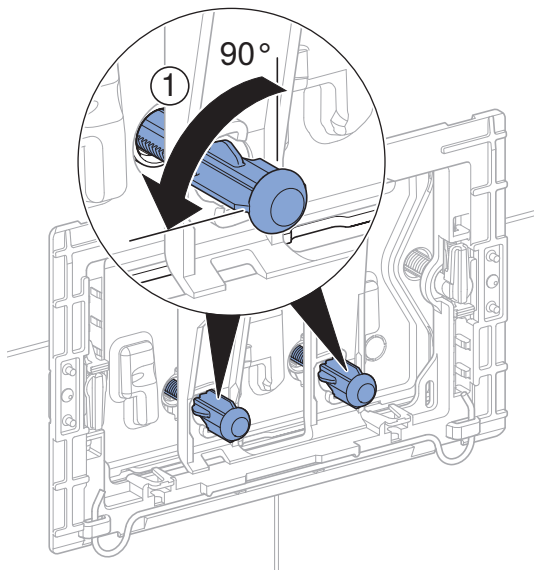


1

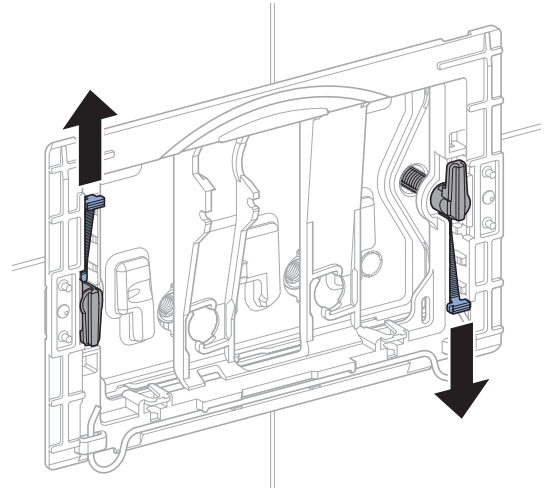
1



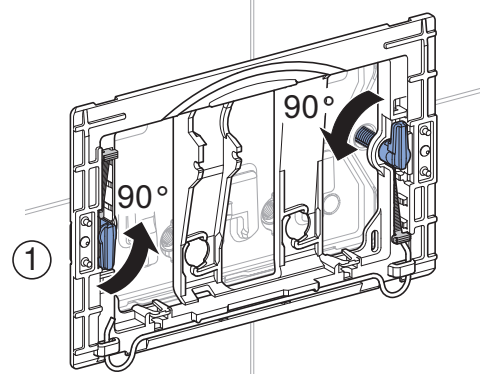
2



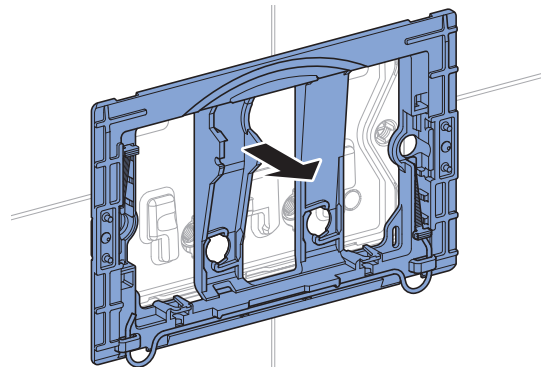
3



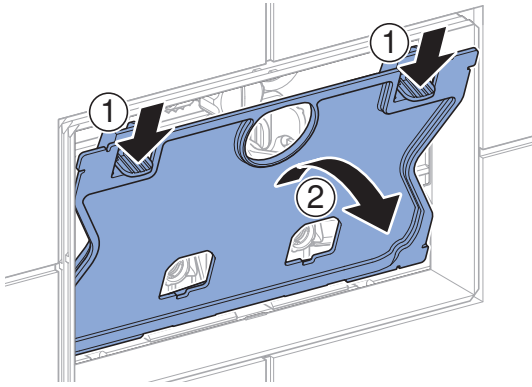
4



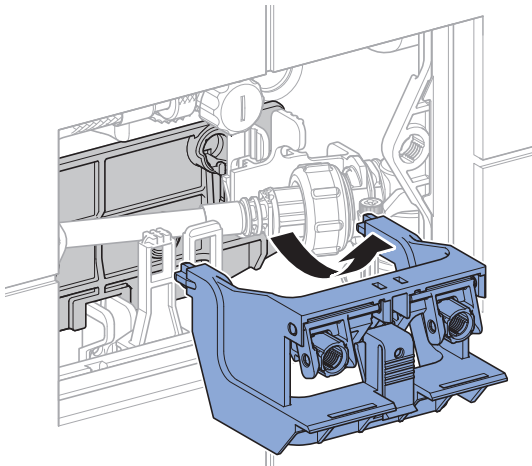
5



6

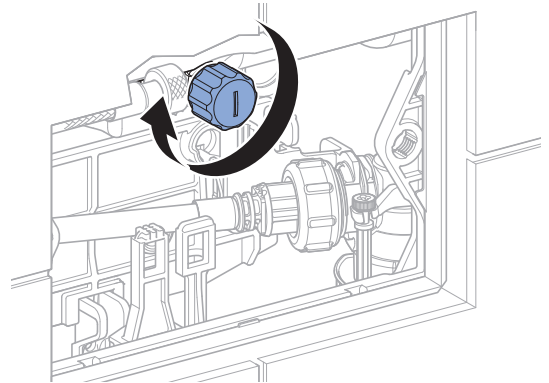


7

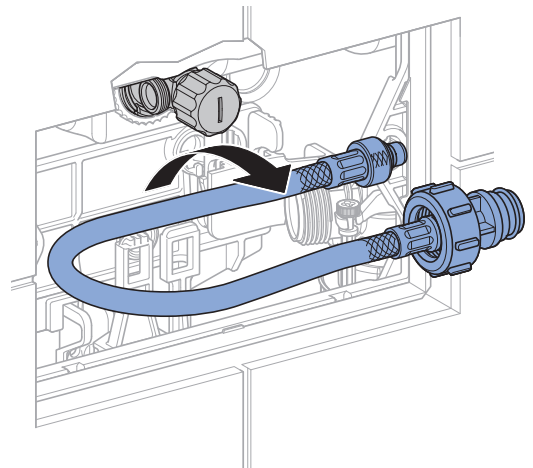


2

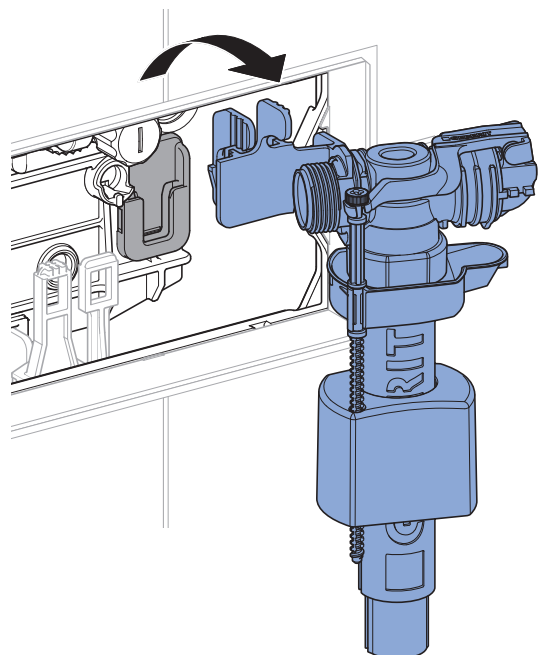
1



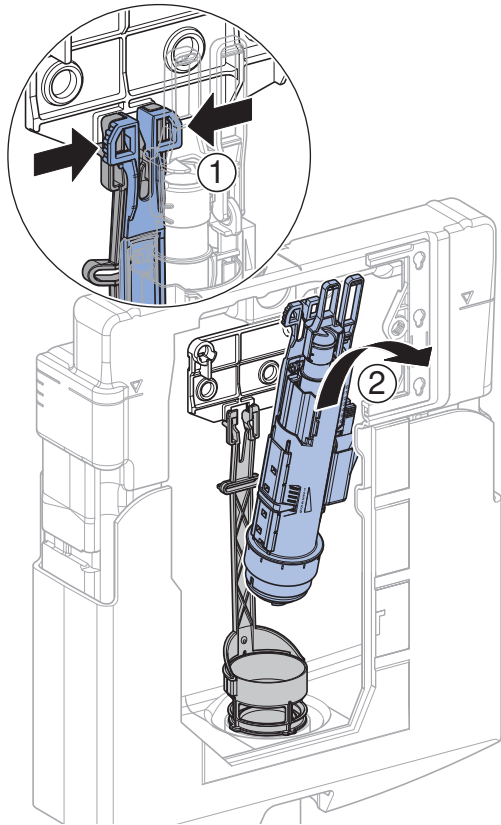
2



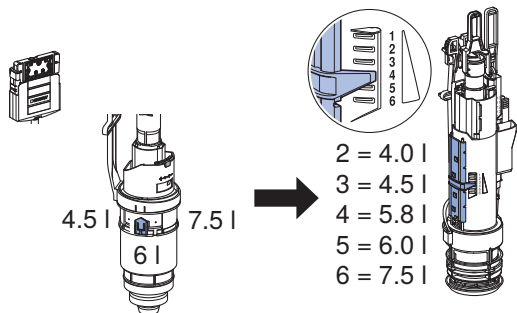
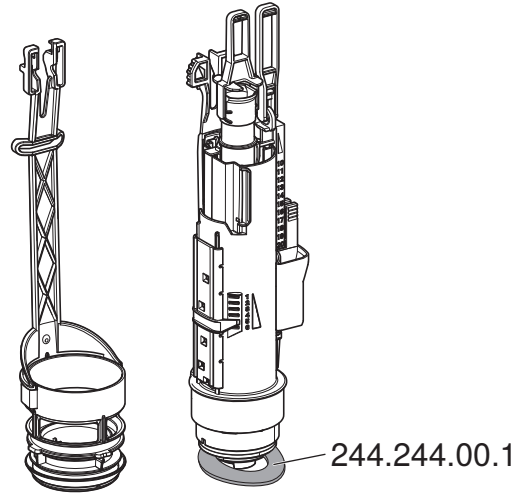
3



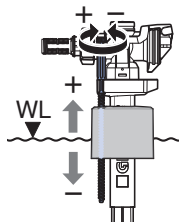
4



5

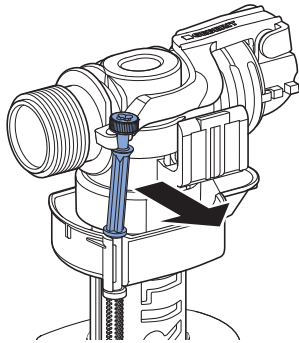


NOTE:
 Not applicable for US
 installations. Flush
 volume modifications shown
 are a violation of US law.
DO NOT ATTEMPT!

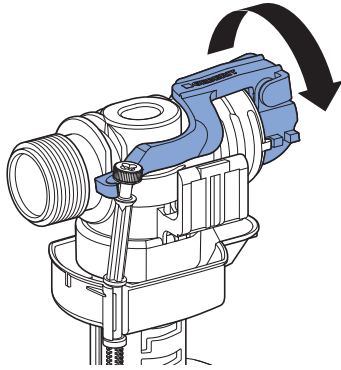


3

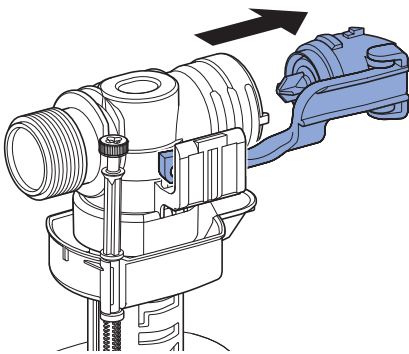
1



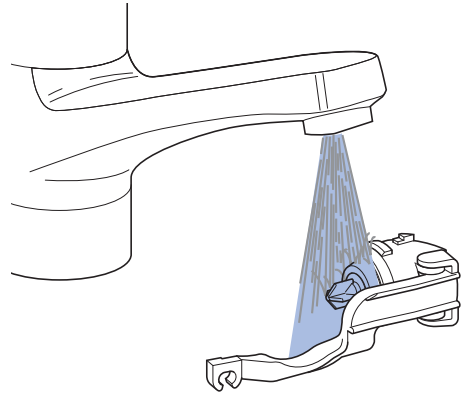
2



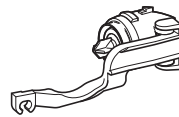
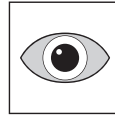
3

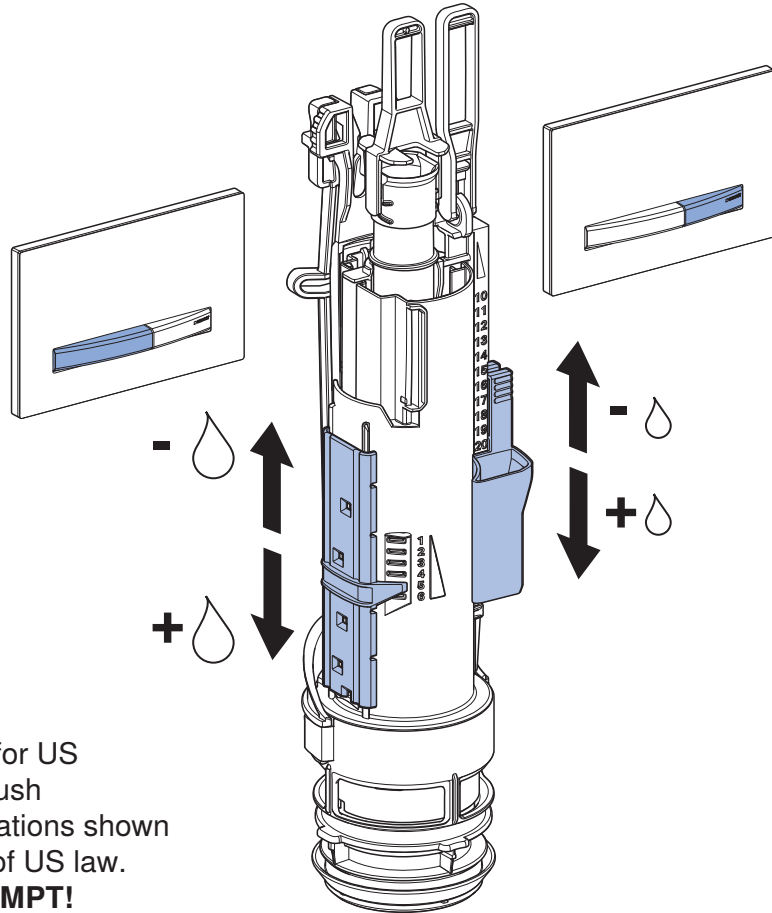


4



i





NOTE:
Not applicable for US
installations. Flush
volume modifications shown
are a violation of US law.
DO NOT ATTEMPT!

