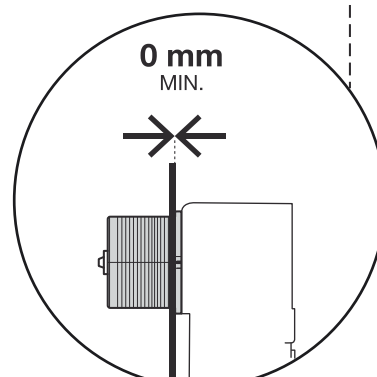
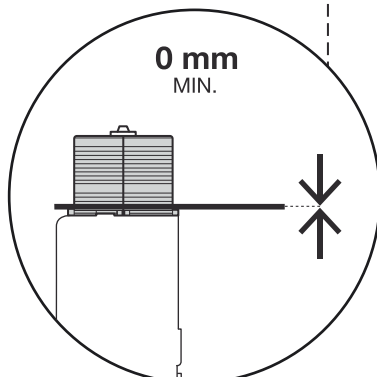
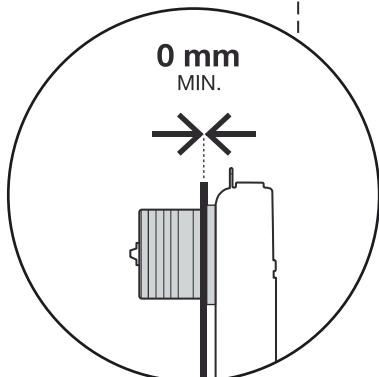
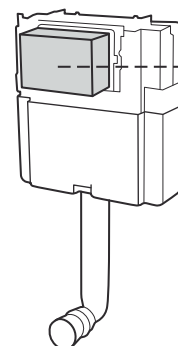
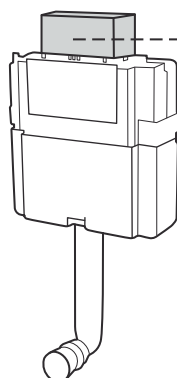
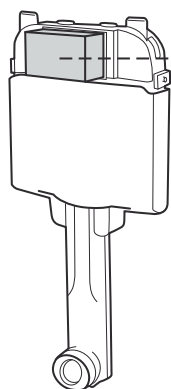
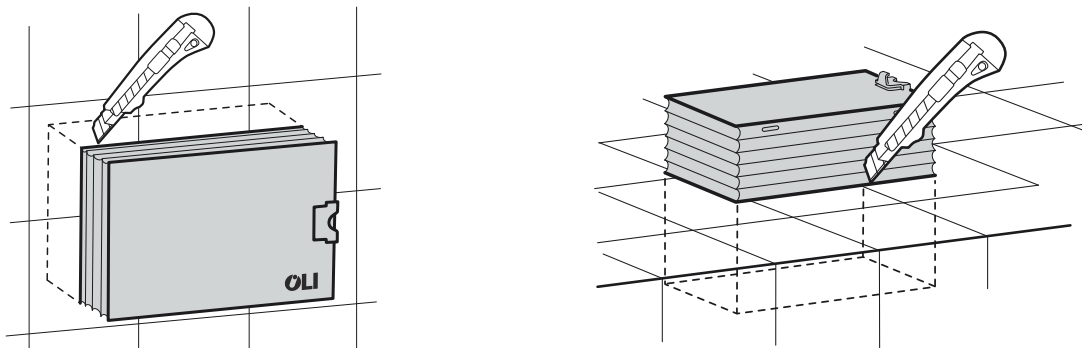


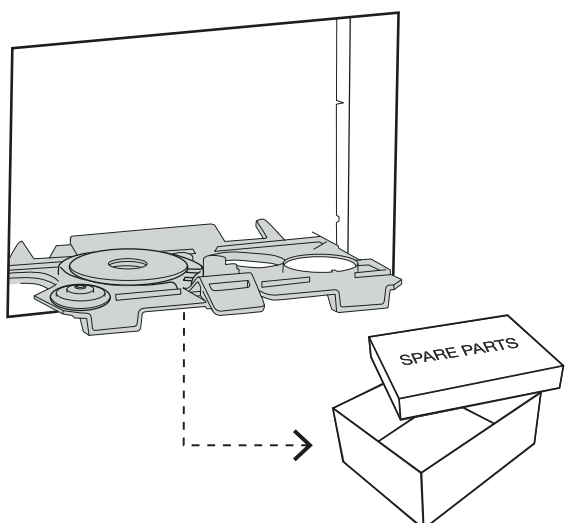
(dimensions in millimeters)



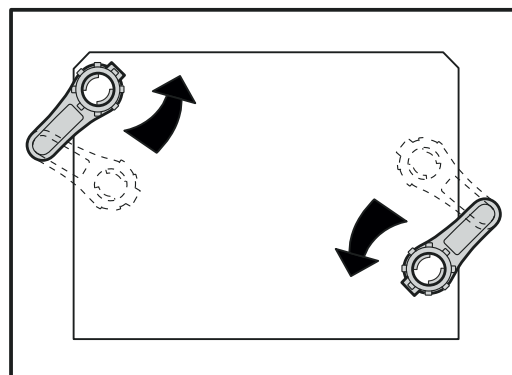
1



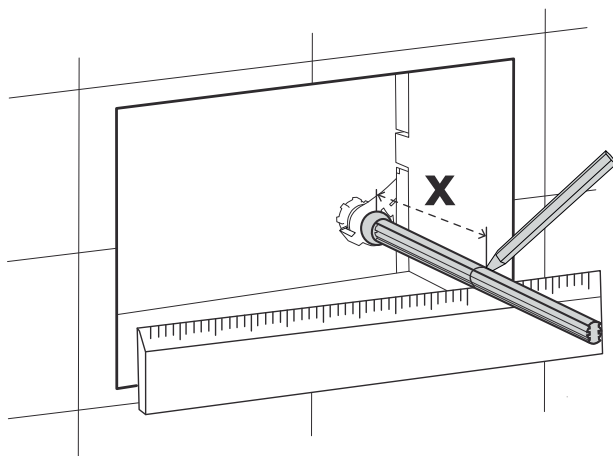
2



3



4



x2



← X + 20mm →

